

LLOYD GALAXY

GALAXY HYLO

Operation & Parts Manual



Galaxy Hylo

Lloyd Table Company

*102 W. Main Street * Lisbon, IA 52253*

Phone 319-455-2110 Fax 319-455-2166

Website www.lloydtable.com

Email sales@lloydtable.com

Call Toll Free 1-800-553-7297

LLOYD
TABLE COMPANY

CONTENTS

<u>OPERATIONS</u>	<u>PAGE</u>	<u>PARTS / ASSEMBLY</u>	<u>PAGE</u>
Safety and Maintenance.....	1 - 2	Ankle Rest	30
Deluxe Head & Tilt Head.....	3 - 5	Foot Stand	31
Deluxe Head Drops.....	6	Plastic Covers.....	32
Total Dim. Flexion Head.....	7 - 8	Hydraulics.....	33 - 34
Chest Cushion.....	9	Electrical.....	35
Drop Chest (Manual / Auto).....	10 - 12	Extension Height Kit.....	36
Head & Chest Extension / Retraction.....	12	Flexion Head Cushion Assembly.....	37 - 38
Pelvic Cushion Adjustments.....	13	Flexion Head Rotation Block.....	39 - 40
Foot Pedal Control.....	14	Flexion Head - Slide Frame.....	41 - 42
Ankle Rest.....	15	Flexion Head - Shuttle Assembly.....	43 - 44
Tilt Safeguard.....	16	Straight Drop Head.....	45 - 46
Master Power Switch.....	16	Forward Motion Drop Head.....	47 - 48
<u>PARTS / ASSEMBLY</u>	<u>PAGE</u>	Drop Chest & Lumbar.....	49 - 50
Tilt Frame.....	17 - 20	Drop Chest (Full Cushion).....	51 - 52
Deluxe Head Cushions.....	21	Rotation Chest.....	53 - 54
Deluxe Head Frame.....	22	Rotation Chest / Drops.....	55 - 56
Deluxe Head I-Frame.....	23 - 24	Height Adj. Ass'y, NonBkey, Chest Drop..	57-58
Tilt Head I-Frame.....	25	T-Drop Pelvic.....	59 - 60
Tilt Chest Cushion.....	26	Drop Pelvic.....	61 - 62
Deluxe Breakaway Chest.....	27 -28	Hydraulics - Auto Drops.....	63 - 64
Pelvic Cushion.....	29	Electronic Diagrams.....	65 - 69

WELCOME!!

Lloyd Table Company, a proud supporter of today's chiropractors, has established the finest line of chiropractic tables in the world. Table products unique in versatility and function, designed to meet your needs.



Concerned for a safe working and treatment environment, Lloyd Table Company asks that you follow the safety tips below.

- * Be aware of Caution and Warning labels posted throughout the table before operating any functions.
- * Everyone operating the table needs to read the manual and familiarize themselves with all its functions before operating the table with patient on it.
- * A patient should never be unattended, when lying on the table. **NEVER LEAVE A PATIENT ON THE TABLE UNATTENDED!**
- * The patient should be positioned at or near the center of the table with **arms on positioned on the Arm Rest.**
- * There should be no more than one operator at the controls.
- * Check the tension on all drops before adjusting the patient. (See Page 7)



MAINTENANCE

The following steps should be performed on a regular basis to maintain your Lloyd table in a smooth operating condition and to assure its long life and top quality appearance.

- * An initial inspection and periodic future inspections should be made to insure that nuts and bolts have not loosened in shipping or during daily operations.
- * Your Lloyd table should be lubricated every six months. Parts to be lubricated are all pivot points, and metal to metal sliding mechanisms.
(DO NOT LUBRICATE FRICTION LOCKS)
- * The cushions should be cleaned daily with a mild soap & warm water solution to remove body oils. Rinsed & dried
- * Chrome parts should be cleaned on a weekly basis for appearance.
- * The hydraulic fluid recommended for the pump, is a lubriplate HO1 hydraulic oil, and should be checked on a yearly basis.
- * Perform periodic inspections for oil leaks or drips.

The following sections provide explanations on the operation of your Lloyd table. All references to right and left, will be in relationship to your view, as you face table from the foot end. All references to the front will refer to the head end of the table. Those to the rear will refer to the foot end.

Tilt Head Cushion

The head cushion is designed to provide a multitude of positions & operations through our Deluxe Headpiece and optional Total Dimension Flexion™ Headpieces.



Tilting Head Adjustment

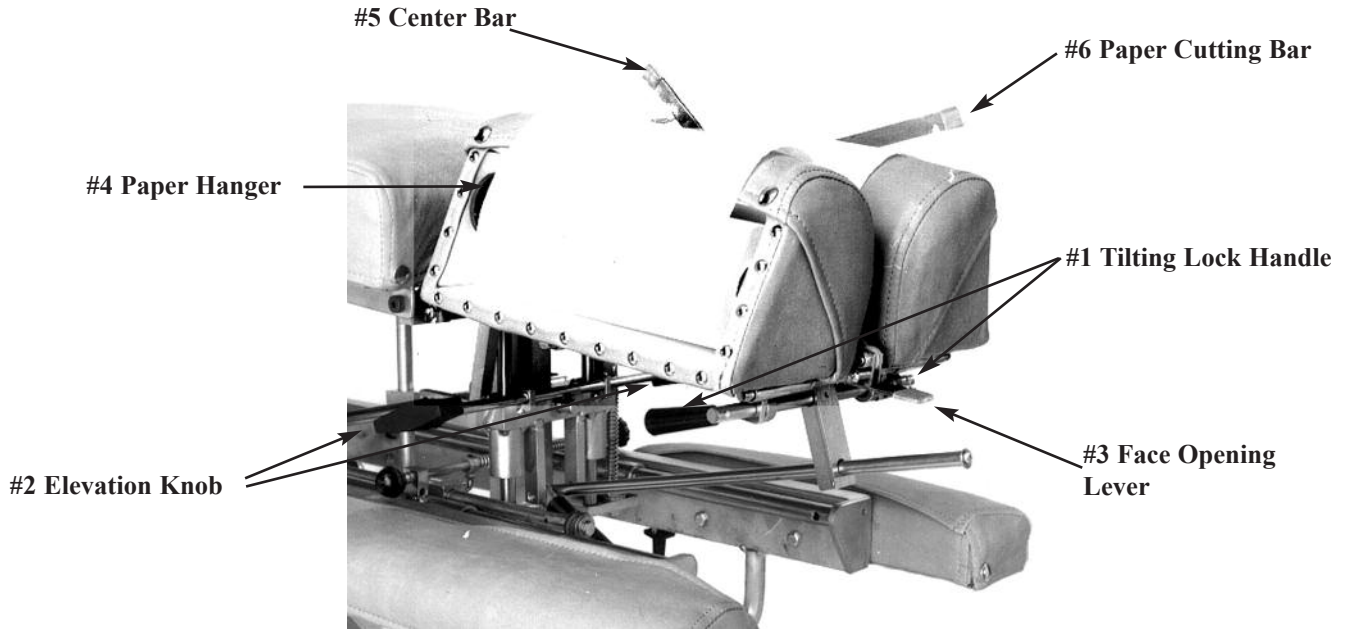
To raise the tilting headpiece:

- 1 Lift on the bottom front edges of the cushion.
- 2 Release when desired height is obtained, the cushion will automatically lock into position.

To lower the tilting headpiece:

- 1 Support the corner edge of the cushion.
- 2 Lift the Locking Handle (#1) to release.
- 3 Gently lower the cushion to the desired height.
- 4 Release the Lock Handle (#1) and then the cushion to lock.

Deluxe Head



Deluxe Headpiece

To Raise the tilting feature on the Deluxe Headpiece:

1. Lift on the bottom front edges of the cushion
2. Release at the desired height, the cushion will automatically lock into position.



To Lower the tilting feature on the Deluxe Headpiece:

1. Support the front corner edge of the cushion.
2. Lift the Locking Handle (No. 1) to release.
3. Gently lower the cushion to the desired height.
4. Release the lock handle first and then the cushion to lock.



WARNING: TO AVOID INJURIES WHEN RAISING OR LOWERING HEAD CUSHIONS, BE SURE TO HAVE A PROPER HOLD ON THE CUSHION BEFORE RELEASING THE ELEVATING HANDLE (NO. 2).

Deluxe Head



To Elevate the Head Cushion

1. The head cushion is assisted by a gas shock in raising the cushion. With a hand supporting the head cushion, turn the Elevation Knob (No. 2) on either side of the table upward to unlock. When the desired height is determined simply release the Elevation Knob (No. 2) to lock.

To Lower the Head Cushion

1. Turn the Elevation Knob upward to unlock. While unlocked push down on the cushion to lower. When the desired height is determined simply rotate the Elevation Knob (No. 2) down to lock.

Face Opening Adjustment

1. The Head Cushion's face opening can be opened or closed to adjust for comfort with the Face Opening Lever (No. 3). By Pushing slightly down on the Face Opening Lever, slide cushions to adjust opening. The Face Opening Lever must be released in one of eight positions to lock the cushions in place.

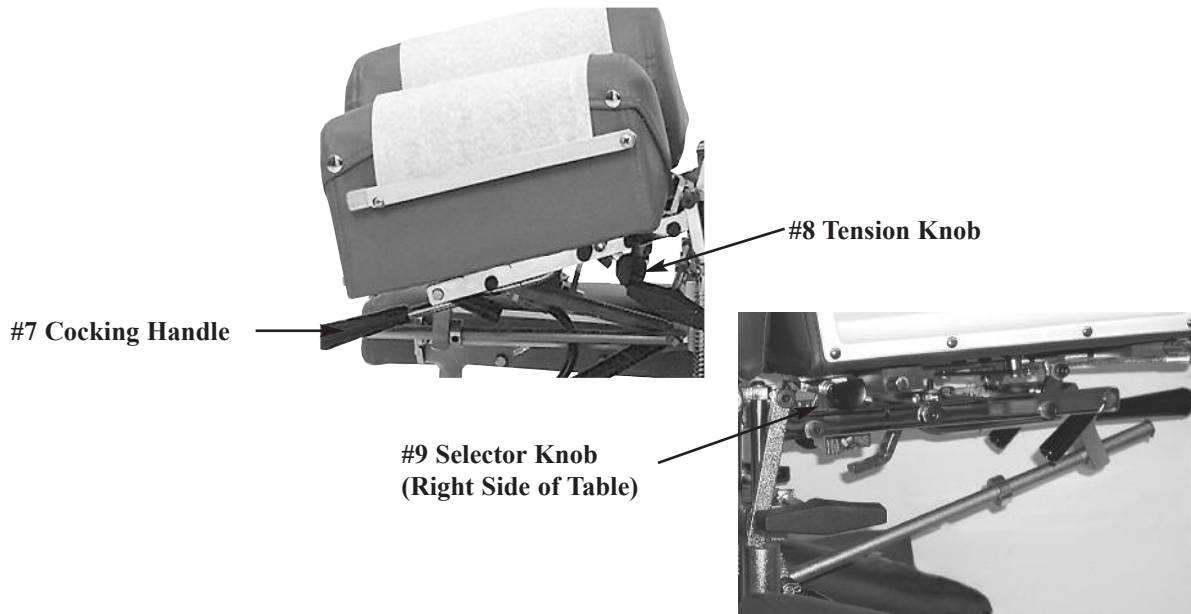
Paper Roll

The paper roll mounts conveniently inside the right-hand cushion.

Replacing the Paper Roll

1. Remove the paper hanger tension rod (No. 4) by compressing ends of the rod horizontally. This will allow you to slide one end out, to remove the paper roll tube.
2. Slide a new paper roll on the tension rod so that it rolls off the bottom side. Compress the rod ends horizontally and set inside the head cushion.
3. Swing the Center Bar (No. 5, Page 4) and Outside Cutting Bar (No. 6, Page 4) up. Route paper over the cushions and down between the two outside cutting bars. Return both bars to their original position.
4. Trim the paper by supporting the paper cutting bar with one hand and pulling the paper up along the bar's edge.

Optional - Deluxe Head Drop



Operating the Straight / Toggle Drop:



CAUTION: THE DROP CUSHION TENSION SHOULD BE CHECKED AND TESTED BEFORE ADJUSTING A PATIENT.

NOTE - DROP SHOULD BE IN DOWN / DEACTIVATED POSITION BEFORE MOVING SELECTOR KNOB (NO. 9) IN OR OUT.

1. To engage the Straight / Toggle Drop head, pull the selector knob (No. 9) out about half an inch.
2. Push down on the Cocking Handle (No. 7) until the head cushion toggle drop is activated .
3. Once cocked, test the drop by pushing down on the cushion. If the cushion drops easily or too hard, adjust the tension with the Tension Knob (No. 8).

Operating The Tension Knob:

1. The tension is adjusted by turning the tension knob (No. 8) in a clockwise and counterclockwise direction.
 - A. Clockwise - Increases tension
 - B. Counterclockwise - Decreases tension

Operating the Forward Motion Drop:



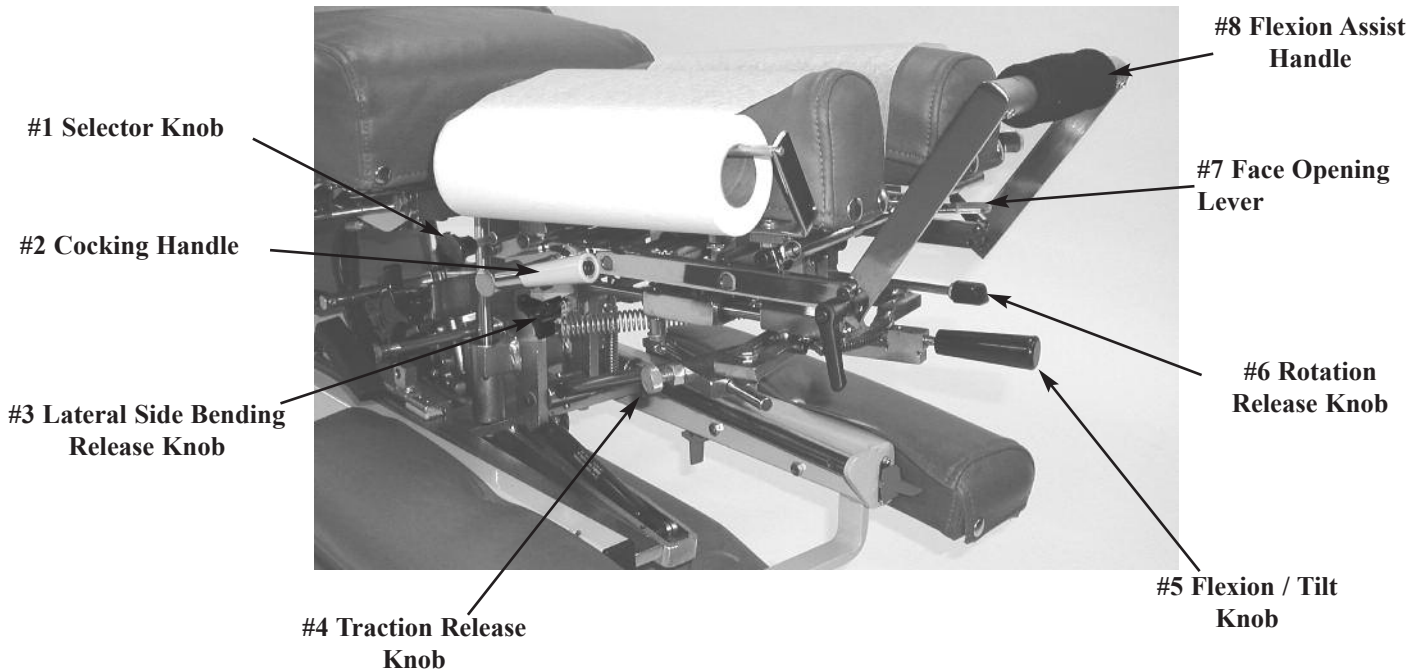
CAUTION: THE DROP CUSHION TENSION SHOULD BE CHECKED AND TESTED BEFORE ADJUSTING A PATIENT.

NOTE - DROP SHOULD BE IN DOWN / DEACTIVATED POSITION BEFORE MOVING SELECTOR KNOB (NO. 9) IN OR OUT.

1. The Selector Knob (No. 9) is to be pushed in, to engage the forward motion drop.
2. Push down on the Cocking Handle (No. 7) until the head cushion forward motion drop is activated.
3. Once cocked, test the drop by pushing down on the cushion, and adjust the tension.

Optional - Total Dimension Flexion Head™

Left Side



Forward & Straight / Toggle Drop Operation Instructions



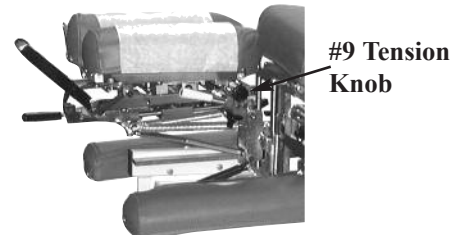
CAUTION: THE DROP CUSHION TENSION SHOULD BE CHECKED AND TESTED BEFORE ADJUSTING A PATIENT.

NOTE - DROP SHOULD BE IN DOWN / DEACTIVATED POSITION BEFORE MOVING SELECTOR KNOB (NO. 1) IN OR OUT.

1. To engage the Straight / Toggle Drop head, pull the selector knob (No. 1) out about half an inch.
2. Push down on the Cocking Handle (No. 2) until the head cushion is cocked into its top position.
3. Once cocked, test the drop by pushing down on the cushion. If the cushion drops too easily or too hard, adjust the tension with the Tension Knob (No. 9).

Operating The Tension Knob:

1. The tension is adjusted by turning the tension knob (No. 9) in a clockwise and counterclockwise direction.
 - A. Clockwise - Increases tension
 - B. Counterclockwise - Decreases tension



Right Side

Operating the Forward Motion Drop:

1. The Selector Knob (No. 1) is to be pushed in, to engage the forward motion drop.
2. Push down on the Cocking Handle (No. 2) to raise the drop cushion to its cocked position.
3. Once cocked, test the drop by pushing down on the cushion. If the cushion drops too easily or too hard, adjust the tension with the Tension Knob (No. 9).

Optional - Total Dimension Flexion Head™

WARNING: THE FOLLOWING CERVICAL OPERATIONS ARE ONLY TO BE OPERATED BY A PROFESSIONAL PRACTITIONER, EDUCATED IN THE PROCEDURE OF FLEXION-DISTRACTION AND TRACTION, ON THE SPINE.

Lateral Side Bending

1. To unlock the Lateral Side Bending Feature rotate the Lateral Side Bending Release Knob (No. 3) clockwise (from left side of table).
2. Turn the Lateral Side Bending Release Knob (No. 3) counterclockwise to lock headpiece in desired position (from left side of table).

CAUTION: MAKE SURE THE HEADPIECE IS LOCKED BEFORE ALLOWING A PATIENT ON OR OFF THE TABLE.

Manual Traction

1. To unlock the manual traction feature simply pull and twist the Traction Release Knob (No. 4) 1/4 of a turn clockwise or counterclockwise.
2. When unlocked the headpiece will glide forward and backward.
3. To lock the manual traction twist the Traction Release Knob (No. 4) 1/4 turn counterclockwise or clockwise.

Manual Flexion Distraction

1. To unlock the manual flexion distraction locate the Flexion / Tilt Knob (No. 5) pull forward and twist 1/4 turn counterclockwise.
2. Gently apply pressure down using the Flexion Assist Handle (No. 8).
3. To lock the manual flexion distraction twist the Flexion / Tilt Knob (No. 5) 1/4 turn clockwise and release to engage lock.

Tilting Feature

1. To unlock the Tilting feature locate the Flexion / Tilt Knob (No. 5) while supporting the head cushion pull forward and twist counterclockwise.
2. Once the desired angle is obtained, lock the headpiece simply by twisting the Flexion / Tilt Knob (No. 5) clockwise and release.

Rotation Feature

1. To unlock the Rotation feature locate the Rotation Release Knob (No. 6) Pull toward the head of the table and twist 1/4 turn clockwise.
2. Gently move the headpiece with the Flexion Assist Handle (No. 8)
3. To lock the Rotation feature locate the Rotation Release Knob (No. 6) twist 1/4 turn counter clockwise and release.

Face Opening Adjustment

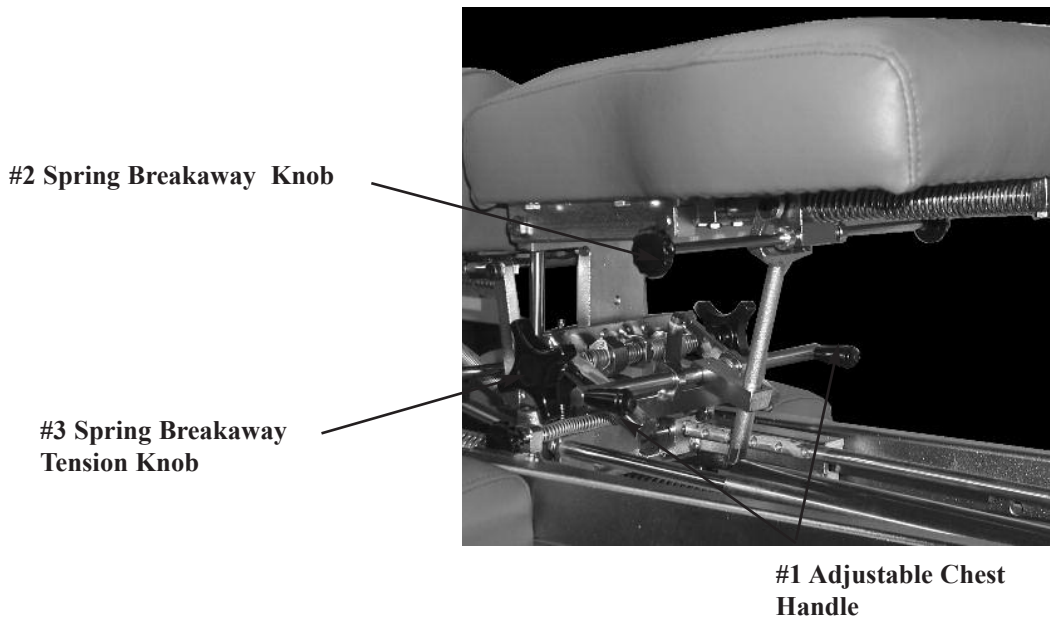
1. The Head Cushion's Face Opening can be opened or closed to adjust for the comfort with the Face Opening Lever (No. 7). By pushing slightly down on the Face Opening Lever, slide side to side adjusting the face opening. The Face Opening Lever must be released in one of the eight positions to lock cushions in place.

Flexion Assist Handle

1. The Flexion Assist Handle (No. 8) has many functions including aiding with manual Cervical Flexion Distraction, rotation, lateral side bending, and tilting the headpiece.
2. To adjust the Flexion Assist Handle to desired comfort twist the Flexion Assist Handle locking Knobs on both sides of table. This will unlock the handle for adjustment. Twist in opposite direction to lock.

CHEST CUSHION

The chest cushion is designed to accommodate patients with large or small abdomens and has the versatility of being a stationary or floating cushion.



Standard - Adjustable Tilting Chest

Height Adjustment of Chest Cushion

1. Lift the rear corners of the cushion.
2. Release the cushion when the desired angle is reached and the cushion will automatically lock into place.

Tilting Chest Cushion Down

1. Support the cushion at the rear corners.
2. Lift on the Adjustable Chest Handle (No. 1) to release the cushion.
3. Slide the cushion to desired angle.
4. Release the Adjustable Chest Handle (No. 1) first and then the cushion to lock into desired height.

Spring Breakaway Chest

To Engage Spring Breakaway Chest Cushion

1. Pull on Spring Breakaway Knob (No. 2) (facing the right side of the table) to unlock.
2. The resulting floating effect will allow the cushion to gently drop under pressure and spring back when released.

To Lock the Spring Breakaway Cushion

1. Push on Spring Breakaway Knob (No. 2) (facing the right side of the table) to lock.

To Increase or Decrease the Tension for Spring Breakaway

1. Rotate the Spring Breakaway Tension Knob (No. 3).
 - A. Left Side: Clockwise - Increase Tension ▲ Counterclockwise - Decrease Tension ▼
 - B. Right Side: Clockwise - Decrease Tension ▼ Counterclockwise - Increase Tension ▲

Drop Chest - Lumbar Cushion



Chest & Lumbar Drop - Manual

Cocking the Drop Chest or Lumbar Cushion

1. Pull up on the Cocking Handle (No. 1) to cock the desired drop cushion.
2. Adjust the tension on either by turning the Tension Control Knob (No. 2)

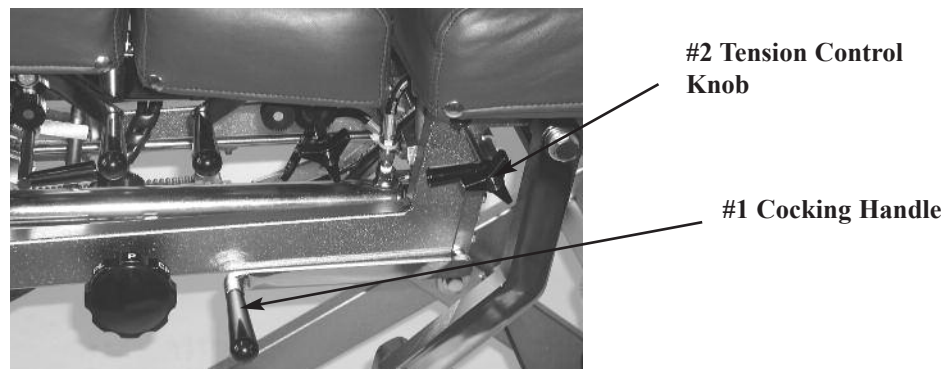
Right side: Clockwise - Decreases Tension Counterclockwise - Increase Tension

Left Side: Clockwise - Increase Tension Counterclockwise - Decrease Tension



CAUTION: THE DROP CUSHION TENSION SHOULD BE CHECKED AND TESTED BEFORE ADJUSTING PATIENT. KEEP FINGERS AWAY FROM BOTTOM OF CUSHION TO AVOID PINCHING

Pelvic Drop



Pelvic Drop - Manual

Cocking the Drop Pelvic Cushion

1. Pull up on the Cocking Handle (No. 1) to cock the cushion.
2. Adjust the tension by turning the Tension Control Knob (No. 2)

Right side: Clockwise - Decreases Tension Counterclockwise - Increase Tension

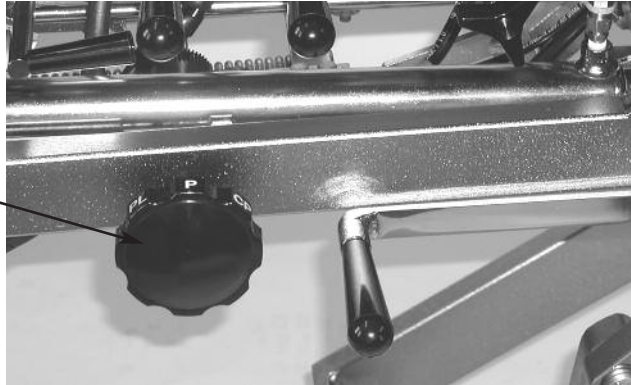
Left Side: Clockwise - Increase Tension Counterclockwise - Decrease Tension



CAUTION: THE DROP CUSHION TENSION SHOULD BE CHECKED AND TESTED BEFORE ADJUSTING PATIENT. KEEP FINGERS AWAY FROM BOTTOM OF CUSHION TO AVOID PINCHING

Automatic Cocking Drops

#1 Automatic Drop Selector Knob



Cervical (Head Cushion) Drop - Automatic

To Cock the Cervical (Head Cushion) Drop:

1. Rotate the Selector Knob (No. 1) to “C” to select the Cervical (Head Cushion) drop.
2. Step on the white strip to activate the auto cocking drop.



CAUTION: THE DROP CUSHION TENSION SHOULD BE CHECKED AND TESTED BEFORE ADJUSTING PATIENT. KEEP FINGERS AWAY FROM BOTTOM OF CUSHION TO AVOID PINCHING.

3. Adjust the tension on the drop by turning the Tension Control Knob (Refer to Page 6 for Instructions).

To Cock the Dorsal (Chest Cushion) Drop:

1. Rotate the Selector Knob (No. 1) to “D” to select the Dorsal (Chest Cushion) drop.
2. Step on the white strip to activate the auto cocking drop.



CAUTION: THE DROP CUSHION TENSION SHOULD BE CHECKED AND TESTED BEFORE ADJUSTING PATIENT. KEEP FINGERS AWAY FROM BOTTOM OF CUSHION TO AVOID PINCHING.

3. Adjust the tension on the drop by turning the Tension Control Knob (Refer to Page 10 for Instructions).

To Cock the Lumbar Cushion Drop:

1. Rotate the Selector Knob (No. 1) to “L” to select the Lumbar drop.
2. Step on the white strip to activate the auto cocking drop.



CAUTION: THE DROP CUSHION TENSION SHOULD BE CHECKED AND TESTED BEFORE ADJUSTING PATIENT. KEEP FINGERS AWAY FROM BOTTOM OF CUSHION TO AVOID PINCHING.

3. Adjust the tension on the drop by turning the Tension Control Knob (Refer to Page 10 for Instructions)

Automatic Cocking Drops

To Cock the Pelvic Cushion Drop:

1. Rotate the selector knob (No. 1) to “P” to select the Pelvic drop.
2. Step on the white strip to activate the auto cocking drop.



CAUTION: THE DROP CUSHION TENSION SHOULD BE CHECKED AND TESTED BEFORE ADJUSTING PATIENT. KEEP FINGERS AWAY FROM BOTTOM OF CUSHION TO AVOID PINCHING.

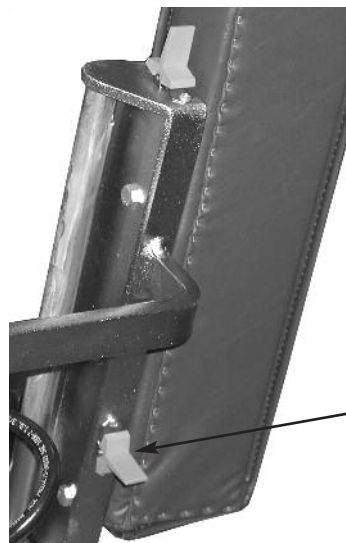
3. Adjust the tension on the drop by turning the Tension Control Knob (Refer to Page 10 for Instructions)

Note - Table is capable of performing a combination of drops - See Selector Knob Letter Reference Chart Below.

Selector Knob Reference Chart

C - Cervical Drop	DC - Dorsal & Cervical Drops
D - Dorsal Drop	LD - Lumbar & Dorsal Drops
L - Lumbar Drop	PL - Pelvic & Lumbar Drops
P - Pelvic Drop	CP - Cervical & Pelvic Drops

Head & Chest Extension - Retraction Switch (Galaxy HYLO)



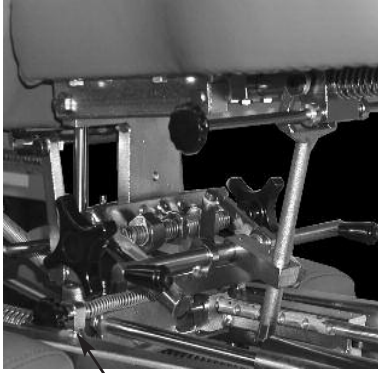
#1 Head/Chest/Pelvic
Extension - Retraction
Switch

To Adjust the Height of Table:

The table must be in Hylo (Tilt) position, while the patient is standing on the foot plate. Locate the Head/Chest/Pelvic Extension - Retraction Switch (No. 1).

1. To extend the head/chest/pelvic cushions toggle switch towards the head end of the table.
2. To retract (shorten) the head/chest/pelvic cushion toggle switch towards the foot end of the table.

Pelvic Height Adjustment (Galaxy HYLO)



#1 Pelvic Lock Knob



#2 Cushion Handle

#3 Adjustment Handle

Pelvic Height Adjustment

Raising - Lift the cushion by it's front corners to the desired height. The Cushion will lock in place once released.

Lowering - Support the cushion by slightly lifting up on a front corner. Next, lift the Adjustment Handle (No. 3) up and allow the cushion to slide down to desired height. Once adjusted to a desired height, release the lock handle and then the cushion to secure the height position.

Pelvic Separation

The pelvic Cushion can be separated from the head and chest section at eight different lengths. To separate, secure the pelvic cushion by holding the Cushion Handle (No. 2) and pushing to the rear while pulling the Pelvic Lock Knob (No. 1) out to unlock. Once the desired adjustment is reached release the Pelvic Lock Knob (No. 1) to Lock.

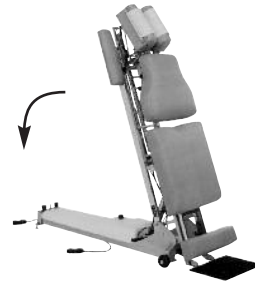
Foot Pedal Control



Directional Pedal

The directional pedals have the dual function of raising and lowering table in elevation and hyllo. The directional pedals can be operated in manual and auto mode as described on page 13 under auto / manual.

Corded Side: Lowers the table from Vertical to horizontal.



Non-Corded Side: Raises table from horizontal to Vertical.



Ankle Rest



Ankle Rest Adjustment

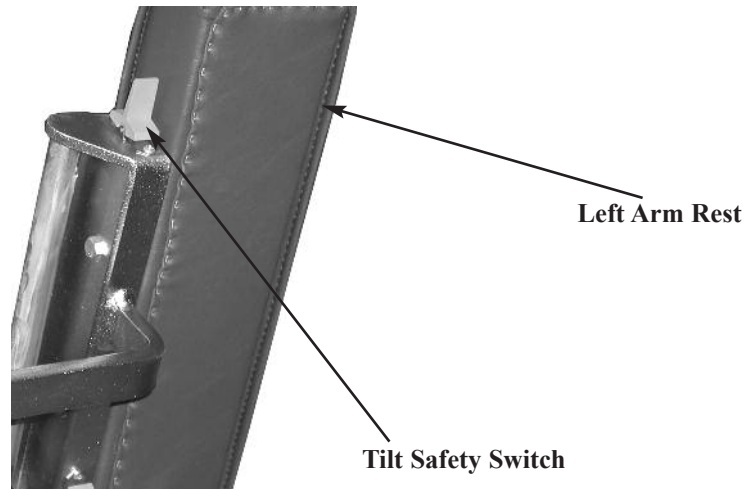
To Adjust Height of Ankle Rest

1. Loosen the Lock Knob (No. 1)
2. Simply lift on the sides of the Ankle Rest Cushion.
3. Once the desired height is obtained the cushion will automatically lock into position when released.

To Lower the Ankle Rest

1. From the back end of the table, support the center of the Ankle Rest Cushion with the right hand.
2. With left hand, lift Adjustment Lever (No. 2) upward release lock.
3. Lower the cushion to desired height, and release the Adjustment Lever to lock into place.
4. To secure the height position tighten the Lock Knob (No. 1).

Tilt Safeguard



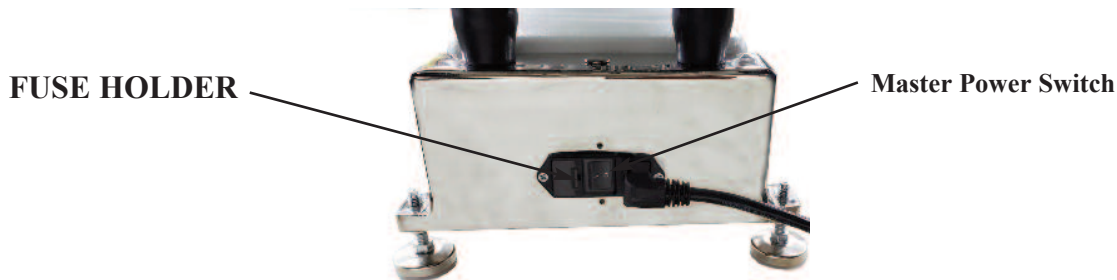
Tilt Safety Switch

The tilt safety switch is designed to prevent unauthorized operators from lowering the table from a Vertical position. The table cannot be lowered until the tilt Safety Switch is activated.

The switch is located (shown above) on the left side, behind the arm rest cushion. By toggling the switch for just a second, the operator will have an estimated thirty seconds to lower the table with a directional foot pedal.

When the table has reached its vertical position it can be lowered, within a period of thirty seconds, without activating the tilt safety switch a second time. Just depress the directional foot pedal (within the thirty second time frame) to lower table.(Galaxy Hylo Only) The Astro Hylo Tilt Saftey Switch must be activated each time the table is lowered.

Master Power Switch - Galaxy Hylo



The Master Power Switch is located on the front left side of the base frame. The switch is operated by pushing on the left or right side, marked with a zero or dash. Once the power is on, select a Height Button to activate power to the table (Height Select Panel).

- A. ON is indicated with a dash (-) B. OFF is indicated with a Zero (0)



WARNING: WHEN THE TABLE IS NOT IN USE OR DOCTOR IS AWAY FROM THE TABLE, THE POWER SWITCH SHOULD BE TURNED OFF.

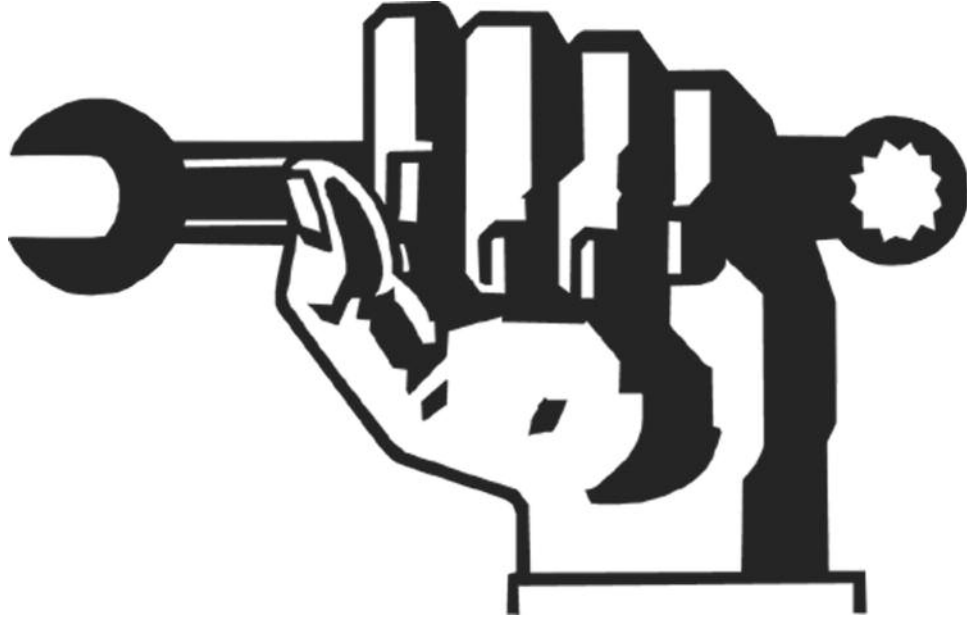
Power Switch Fuses



WARNING: UNPLUG THE POWER CORD FROM THE ELECTRICAL WALL OUTLET BEFORE REMOVING THE FUSE HOLDER TO AVOID INJURY.

A fuse holder tray is located next to the power switch and can be removed by pushing along the right side. Replace fuses with the same size rating.

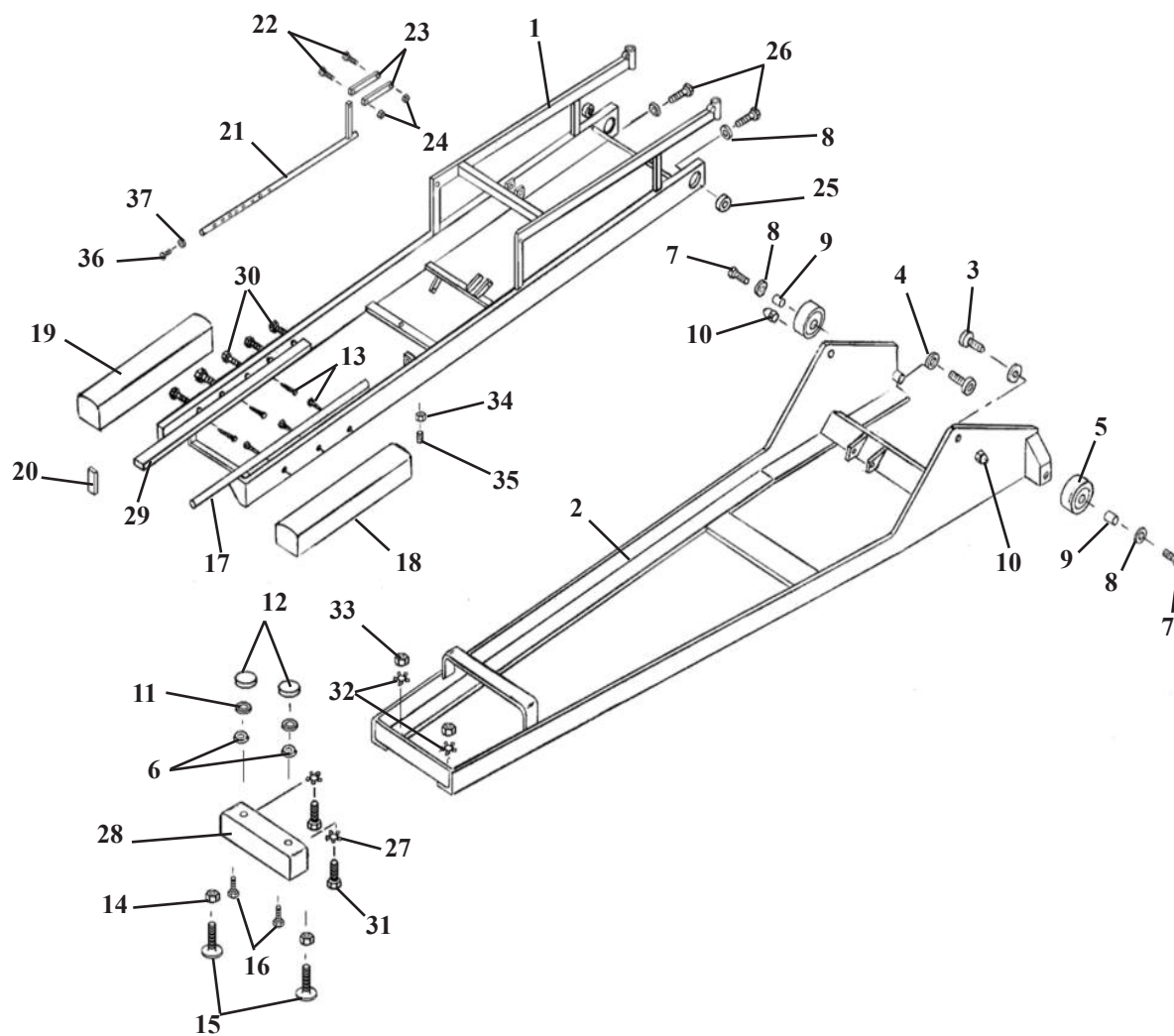
GALAXY HYLO



PARTS & DIAGRAMS SECTION

18" GALAXY HYLO FRAME ASSEMBLY

P-FRAME & BASE FRAME



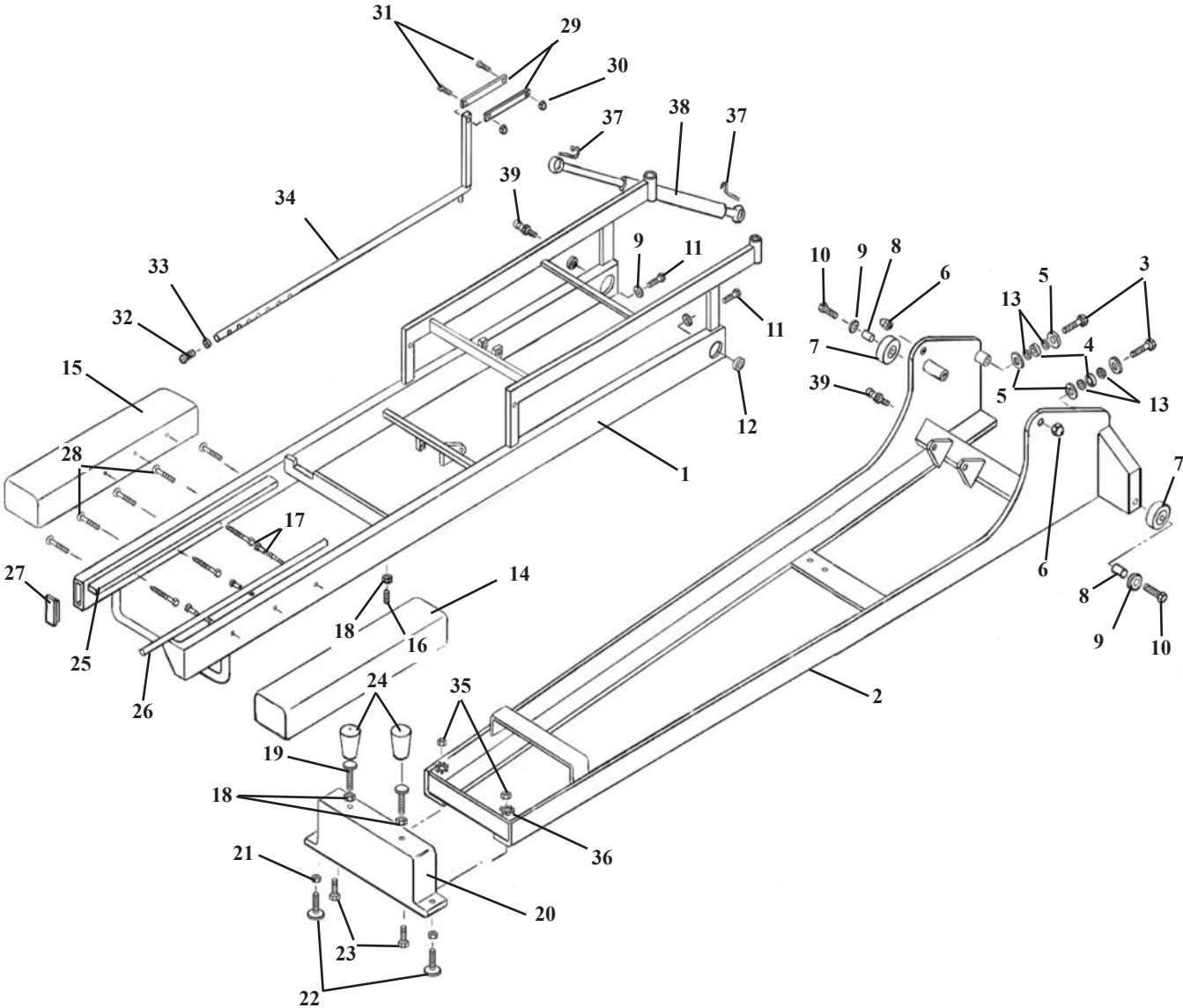
18" GALAXY HYLO FRAME ASSEMBLY

P-FRAME & BASE FRAME

ITEM	PART NO.	DESCRIPTION	QTY.
1	54117	18" P-FRAME ASS'Y	1
2	54047	BASE FRAME ASS'Y	1
3	22795	FOLLOWER BEARING, 1.00 OD	2
4	21959	WASHER, FLAT, .665 ID X 1 1/2 OD	8
5	24430	WHEEL	2
6	21860	WASHER, FLAT, 7/16 ID X 1 OD	2
7	20542	BOLT, HEX HD, 1/2 - 20 NF X 2 1/2 (CHROMED)	2
8	21910	WASHER, FLAT, 1/2 ID X 1 OD	4
9	50070	BUSHING, WHEEL, 1/2 ID X 5/8 OD	2
10	21310	NUT, CAP, 1/2 - 20 NF	2
11	56774	PAD, FOOTPLATE	2
12	24409	TIP, RUBBER	2
13	22085	SCREW, LAG HEX HD, 1/4 X 3	6
14	21210	NUT, HEX, 3/8-16 NC	2
15	20373	BOLT, ELEVATOR, 3/8-16 NC X 1 1/2 (PLASTIC)	2
16	20222	BOLT, HEX HD, 5/16-18 NC X 1 1/4	2
17	50610	SLIDE ROD, 23/32 RD X 22 13/16	1
18	40010	ARM REST (LH)	1
19	40030	ARM REST (RH)	1
20	24417	END CAP	1
21	54118	SEPARATION ROD ASS'Y	1
22	54040	BOLT, HEX HD, 1/4 - 20 NC X 1 1/8	2
23	50670	LINKAGE BAR	2
24	21010	NUT HEX, 1/4 - 20 NC	2
25	22820	BALL BEARING, 1/2 ID	2
26	20532	BOLT, HEX HD, 1/2 - 20 NF X 2 (CHROMED)	2
27	21630	WASHER STAR, .26 ID X .490 OD	2
28	54122	BASE CAP ASS'Y	1
29	55572	GUIDE RAIL, 3/8 X 1 X 20 1/2	1
30	22031	SCREW, MACHINE, SOC HD, 1/4 - 20 NC X 1 1/4	5
31	20007	BOLT, HEX HD, 1/4 - 20 NC X 5/8	2
32	21755	WASHER, STAR, 5/16 ID	2
33	21112	NUT, HEX, 5/16 - 18NC	2
34	21110	NUT, JAM, 3/16-18 NC	1
35	22240	SCREW, SET, SQ. HD, 1/4 - 20 NC X 1/2	1
36	22012	SCREW, MACHINE, TRUSS HD, 1/4 - 20 NC X 1/2	1
37	21710	WASHER, FLAT, 5/16 ID X .688 OD	1

22" GALAXY HYLO FRAME ASSEMBLY

P-FRAME & BASE FRAME



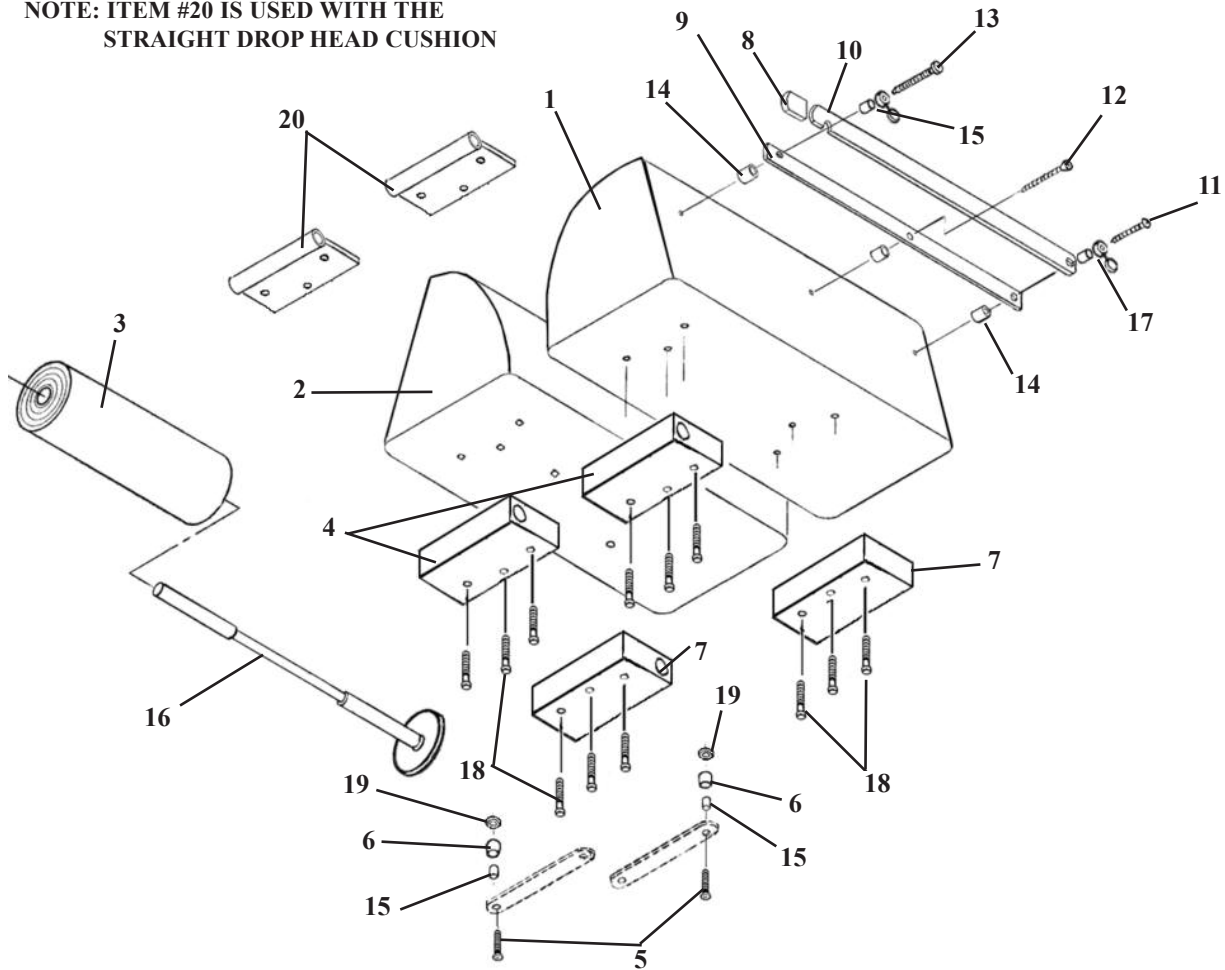
22" GALAXY HYLO FRAME ASSEMBLY

P-FRAME & BASE FRAME

ITEM	PART NO.	DESCRIPTION	QTY.
1	54091	22" P-FRAME ASS'Y	1
2	55010	BASE FRAME ASS'Y	1
3	50539	BOLT, HEX HEAD, 5/8 - 11 NC X 1 3/4	2
4	22830	BEARING, 5/8 ID	2
5	21953	WASHER, FLAT, PLASTIC, 5/8 ID X 2 OD X 1/4	4
6	21310	CAP, NUT, 1/2 - 20 NF	2
7	24430	WHEEL	2
8	50070	BUSHING, WHEEL, 0.506 ID X 5/8 OD	2
9	21910	WASHER, FLAT, 1/2 ID X 1 OD	4
10	20542	BOLT, HEX HEAD, 1/2 - 20 NF X 2 1/4 (CHROMED)	2
11	20532	BOLT, HEX HEAD, 1/2 - 20 NF X 2 (CHROMED)	2
12	22820	BEARING, 1/2 ID	2
13	24283	SHIM, 0.032	4
14	40010	ARM REST (LH)	1
15	40030	ARM REST (RH)	1
16	22240	SCREW, SET, SQ HD, 5/16 - 18 NC X 1	1
17	22085	SCREW, HEX HEAD, LAG, 1/4 X 3	6
18	21110	NUT, JAM, 5/16 - 18 NC	3
19	20240	BOLT, ELEVATOR, 5/16 - 18 NC X 1 3/4	2
20	55050	CAP, BASE	1
21	21210	NUT, HEX, 3/8 - 16 NC	2
22	20373	BOLT, ELEVATOR, 3/8 - 16 NC X 1 1/2 (PLASTIC)	2
23	20220	BOLT, HEX HEAD, 5/16 - 18 NC X 1	2
24	24410	TIP, RUBBER	2
25	55572	RAIL, GUIDE, 3/8 X 1 X 21	1
26	50610	ROD, SLIDE, 23/32 RD X 22 13/16	1
27	24417	CAP, END	1
28	22031	SCREW, MACH, SOC HD, FLAT, 1/4 - 20 NC X 1 1/4	5
29	50670	BAR, LINKAGE, 1/8 X 1/2 X 5	2
30	21010	NUT, HEX, 1/4 - 20 NC	2
31	54040	BOLT, HEX HEAD, 1/4 - 20 NC X 1 1/8	2
32	22012	SCREW, MACH, TRUSS HD, 1/4 - 20 NC X 1/2	1
33	21710	WASHER, FLAT, 5/16 ID X 0.688 OD	1
34	54103	SEPARATION ROD ASS'Y	1
35	21112	NUT, HEX, 5/16 - 18 NC	2
36	21755	WASHER, STAR, 5/16 ID X 0.60 OD	2
37	30278	CLIP, RETAINER, PRESSURE CYLINDER	4
38	30276	CYLINDER, PRESSURE, 150 #	2
39	30277	STUD, BALL, PRESSURE CYLINDER	4

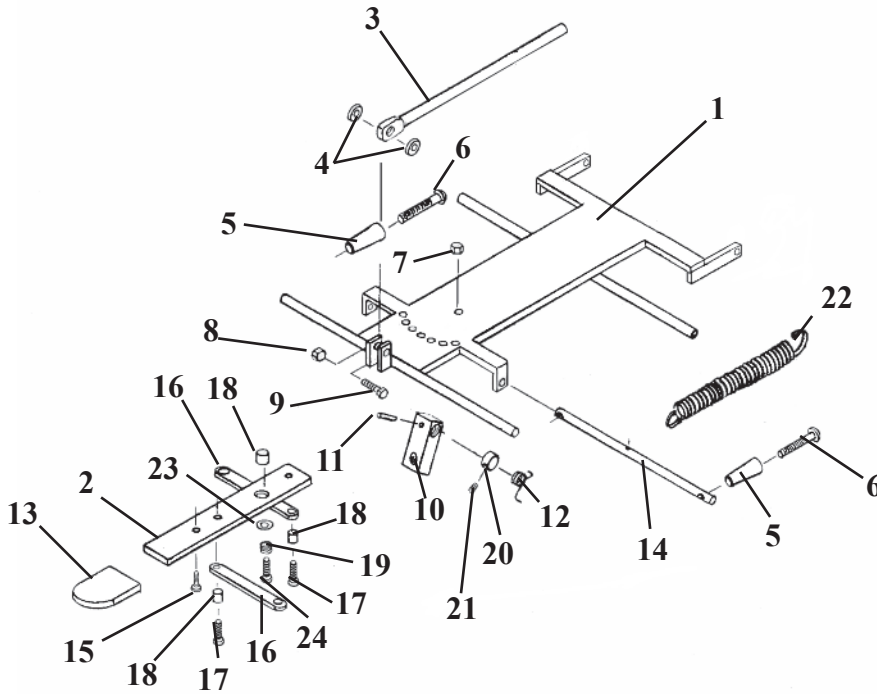
DELUXE HEAD CUSHION ASS'Y (606400)

NOTE: ITEM #20 IS USED WITH THE
STRAIGHT DROP HEAD CUSHION



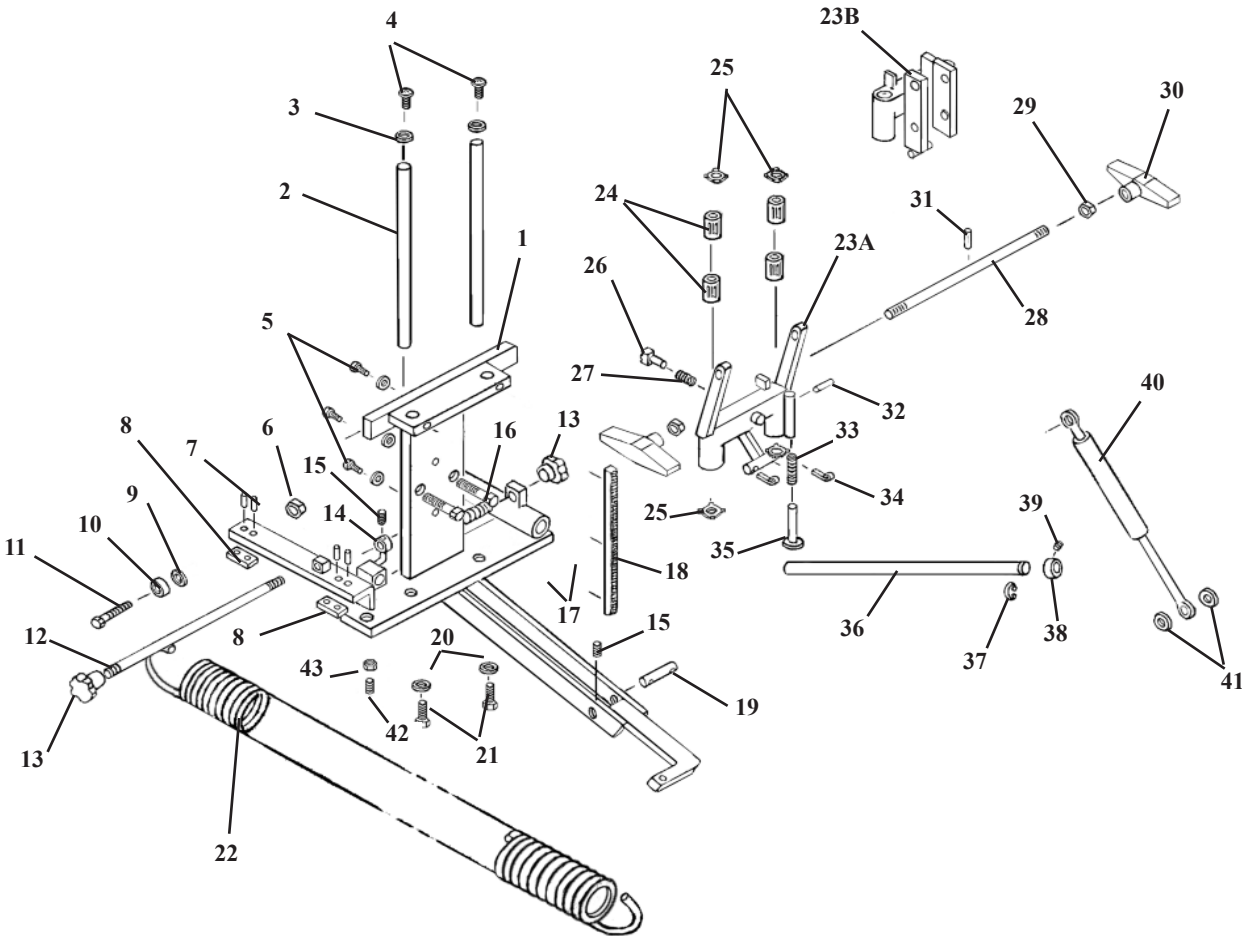
ITEM	PART NO.	DESCRIPTION	QTY
1	40110	CUSHION, HEAD - LEFT HAND	1
2	40130	CUSHION, HEAD - RIGHT HAND	1
3	29999	HEADREST PAPER	1
4	30400	SLIDE BLOCK, FRONT	2
5	22009	OVAL HD. MACHINE SCREW, #10-24 NC X 1 1/2	2
6	57174	SPACER, 3/16 ID X 1/2 OD X 5/8	2
7	30401	SLIDE BLOCK, REAR	2
8	24235	GUARD, CUTTING BAR	2
9	50750	INSIDE CUTTING BAR	1
10	50770	OUTSIDE CUTTING BAR	1
11	22550	RD. HD. WOOD SCREW #14 X 2.00	1
12	22510	FLAT HD. WOOD SCREW, #9 X 1 1/2	1
13	22522	RD. HD. WOOD SCREW, #9 X 2.00	1
14	50720	SPACER, PAPER CUTTER, 3/8 ID X 1/2 OD	3
15	22860	BUSHING, 3/16 ID x 1/4 OD	3
16	50778	PAPER HANGER ASS'Y, w/ Washer	1
17	21610	FLAT WASHER, 3/16 ID X 1/2 OD	1
18	22003	OVAL HD. MACHINE SCREW, #10 - 24 NC X 3/4	12
19	21510	FLAT WASHER, 3/16 ID X 1/2 OD	2
20	57155	GUIDE TUBE ASS'Y, FRONT	2

DELUXE HEAD FRAME ASS'Y



ITEM	PART NO.	DESCRIPTION	QTY.
1	56051	FASTNER PLATE ASS'Y	1
2	57221	ADJUSTMENT ARM	1
3	55929	CENTER BAR	1
4	21616	PLASTIC FLAT WASHER, ¼ ID X ¾ OD	2
5	24020	HANDLE	2
6	22050	RD. HD. MACHINE SCREW, ¼-20 UNC X 2 ½	2
7	21450	HEX. NUT, #10-24 UNC	1
8	21020	HEX. NUT, ¼-28 UNF	1
9	20115	HEX. HD. BOLT, ¼-28 UNF X 1.00	1
10	54107	ADJUSTMENT BLOCK	1
11	22670	ROLL PIN, 1/8RD. X ¾	1
12	30870	TROSION SPRING	1
13	24236	PLASTIC CAP	1
14	57205	ADJUSTMENT ROD, 7/16 RD. X 9 5/8	1
15	22300	RD. HD. MACHINE SCREW, #8-32 UNC X ¼	1
16	57175	LINKAGE BAR, 1/8 X ½ X 3 9/16	2
17	21995	PAN HD. MACHINE SCREW, #10-24 UNC X ½	3
18	22860	BUSHING, 3/16 ID X 1/4OD X .16	3
19	30722	COMPRESSION SPRING, .235 ID X .5/16 OD X ½	1
20	22912	COLLAR, 3/8 ID	1
21	22110	SET SCREW, ¼-20 UNC X ¼	1
22	30785	TENSION SPRING, ½ ID X 5/8 OD X 7 1/8 (HYLO ONLY)	1
23	21610	WACHER, .26 ID X ½ OD	1
24	22003	PAN HE. MACHINE SCREW, #10-24 UNC X 3/4	1

I - FRAME ASSEMBLY DELUXE, FORWARD MOTION & FLEXION HEAD



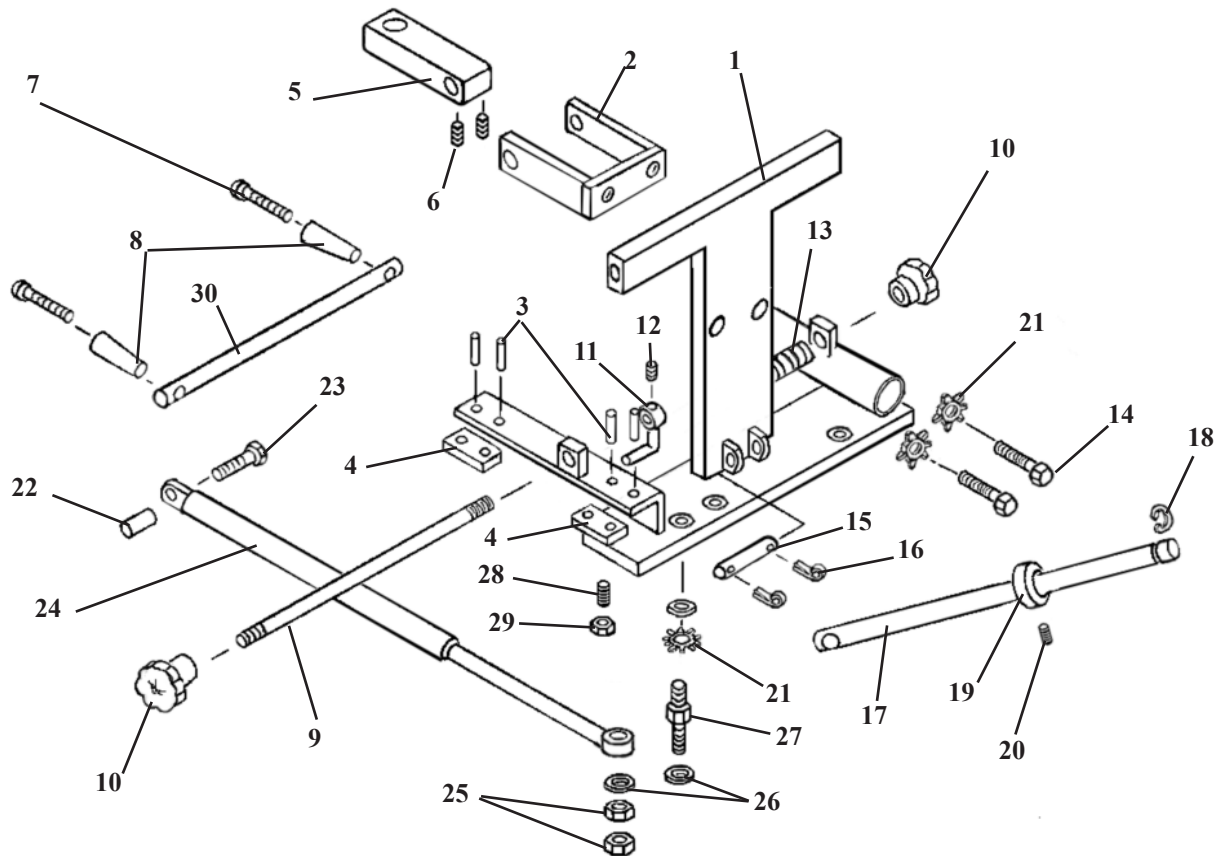
I - FRAME ASSEMBLY

DELUXE, FORWARD MOTION & FLEXION HEAD

ITEM	PART NO.	DESCRIPTION	QTY.
1	55553	I-FRAME ASSEMBLY	1
2	50872	GUIDE ROD, 1/2 RD X 7 7/8	2
3	21620	WASHER, FLAT, 1/4 ID X 9/16 OD	2
4	22013	SCREW, MACHINE, BUTTON SOC HD, 1/4 - 20 NC X 1/2	2
5	21975	SCREW, MACHINE, PAN HD, #6 - 32 NC X 1/2	3
6	21010	NUT, HEX, 1/4 - 20 NC	1
7	22657	ROLL PIN, 1/8 RD X 3/8	4
8	55944	SLIDE PLATE	2
9	22910	COLLAR, STOP, 1/4 ID X 1/2 OD	1
10	22805	BEARING, BALL, 1/4 ID	1
11	20022	BOLT, HEX HD, 1/4 - 20 NC X 1	1
12	50531	EXTENSION RELEASE ROD, 5/16 RD X 10	1
13	24150	KNOB, LOCK (BOTTOM GROUND OFF)	2
14	50570	LOCK PIN ASS'Y	1
15	22090	SET SCREW, #10 - 32 NF X 3/16	2
16	30770	COMPRESSION SPRING, 3/8 ID X 6 13/16	1
17A	20332	BOLT, HEX HEAD, 3/8 - 16 NC X 1	2
17B	55826	BOLT, HEX HEAD, 3/8 - 16 NC X 1 (SHAVED HD FOR FLEX HD)	2
18	56019	GEAR RACK	1
19	56002	SUPPORT PIN, 5/16 X 1 5/16	1
20	21630	WASHER, STAR, 0.26 ID X 0.49 OD	2
21	20007	BOLT, HEX HEAD, 1/4 - 20 NC X 5/8	2
22	30850	EXTENSION SPRING, 1 1/16 ID X 1 1/2 OD X 23 1/4	1
23A	56045	SHUTTLE ASS'Y, F/M 89, STRAIGHT DROP & DELUXE HD	1
23B	55750	SHUTTLE ASS'Y, FLEXION HEAD	1
24	22891	BUSHING, 1/2 RD X 1.00 (SUPER 8)	4
25	24050	SPRING CLIPS, EXTERNAL TEETH	4
26A	56064	LOCK PIN ASS'Y, F/M 89 & DELUXE HEAD	1
26B	56007	LOCK PIN ASS'Y, FLEXION HEAD	1
27	30750	COMPRESSION SPRING, 9/32 ID X 3/8 X 3/4	1
28	55949	LOCK ROD, 3/8 RD X 11	1
29	21211	NUT, HEX, 3/8 - 16 NC	2
30	24186	TENSION KNOB	2
31	22675	ROLL PIN, 1/8 X 3/4 - SHEAR PROOF	1
32	22660	ROLL PIN, 1/8 X 5/8	1
33	30740	COMPRESSION SPRING, 5/16 ID X 7/16 X 4 3/4	1
34	22640	COTTER PIN, 3/32 X 1	2
35	55959	PLUNGER ASSEMBLY	1
36	54108	ROD, TILT LOCK, 1/2 RD X 13 13/16	1
37	24285	SNAP RING, 1/2 DIA	1
38	22913	COLLAR, SET, 1/2"	1
39	22110	SET SCREW, 1/4 - 20 NC X 1/4	1
40A	30296	PRESSURE CYL, 50# (F/M 89, STRAIGHT DROP, FLEX)	1
40B	30297	PRESSURE CYL, 40# (DELUXE HEAD)	1
41	56006	SPACER, 3/8 ID X 1/2 OD X 3/16	2
42	22233	SET SCREW, 5/16 - 18 NC X 5/8 - BRASS TIP	1
43	21110	NUT, JAM, 5/16 - 18 NC	1

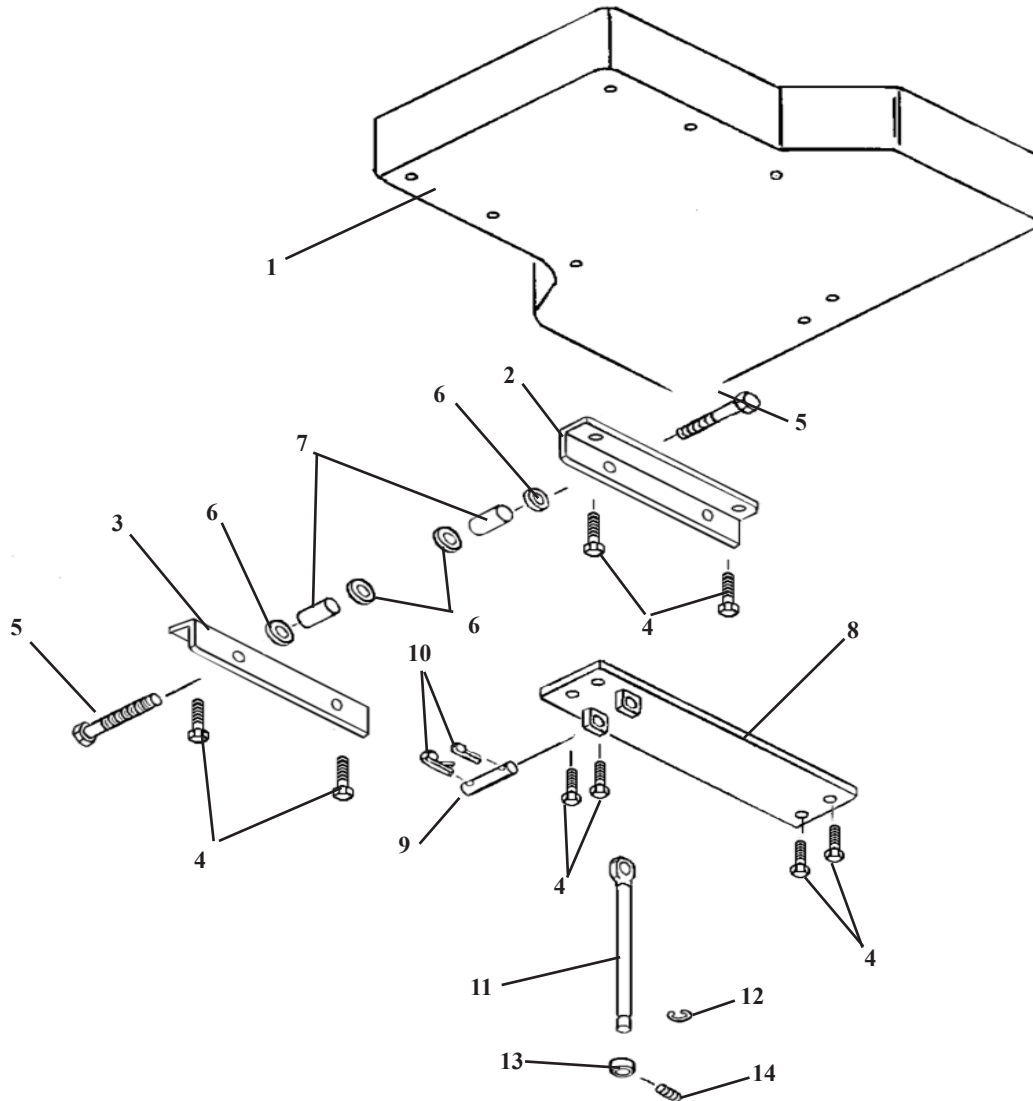
I-FRAME ASS'Y

TILT HEAD



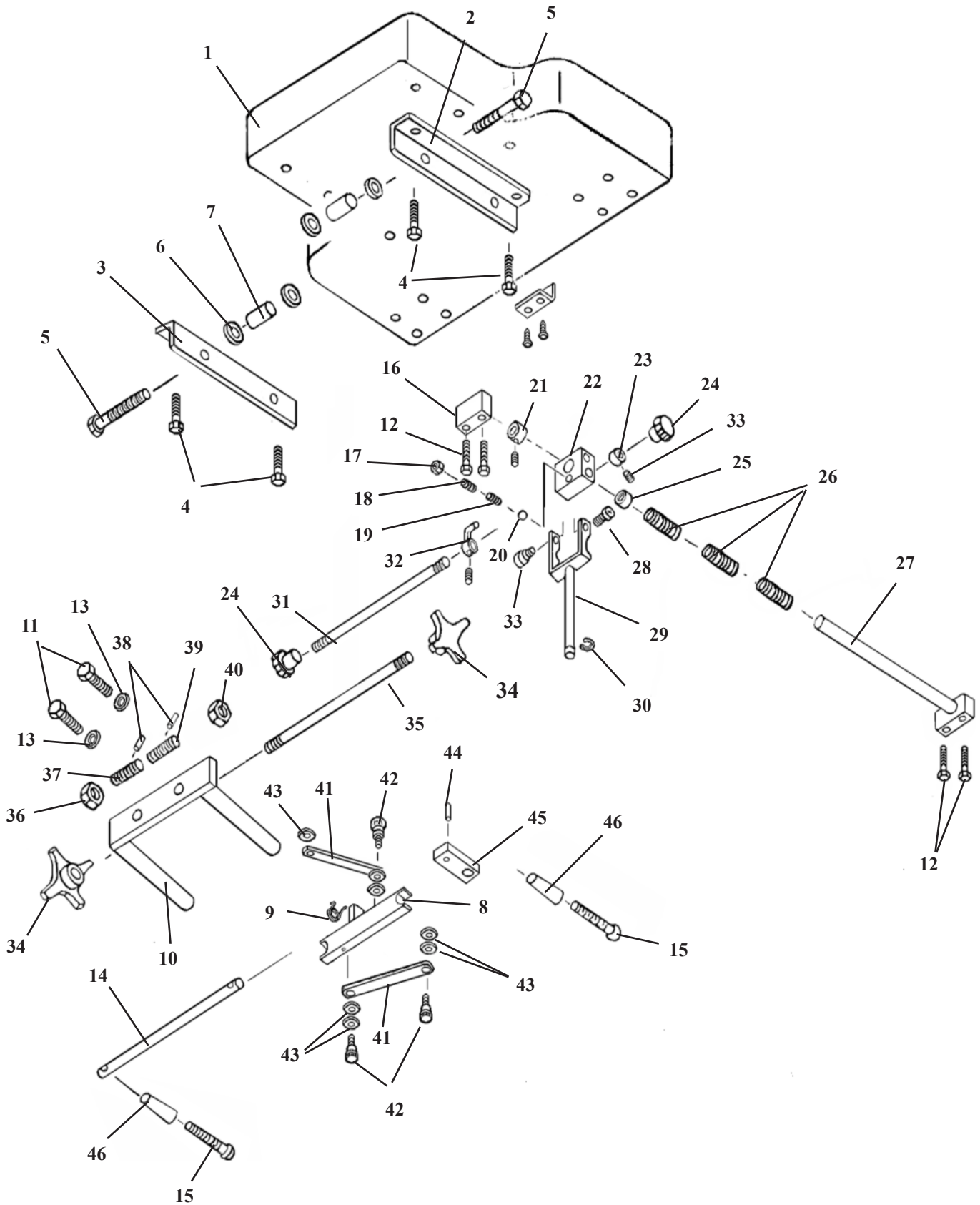
ITEM	PART NO.	DESCRIPTION	QTY.
1	55554	I-FRAME ASSEMBLY	1
2	56203	BRACKET, YOKE SUPPORT, DROP CHEST	1
3	22657	ROLL PIN, 1/8 RD X 3/8	4
4	55944	SLIDE PLATE	2
5	54082	DROP BLOCK	1
6	22110	SET SCREW, 1/4 - 20 NC X 1/4	2
7	22050	SCREW, MACHINE, RD HEAD, 1/4 - 20 NC X 2 1/2	2
8	24020	HANDLE	2
9	50531	EXTENSION RELEASE ROD, 5/16 RD X 10	1
10	24150	KNOB, LOCK (BOTTOM GROUND OFF)	2
11	50570	LOCK PIN ASS'Y	1
12	22090	SET SCREW, #10 - 32 NF X 3/16	1
13	30770	COMPRESSION SPRING, 3/8 ID X 6 13/16	1
14	20332	BOLT, HEX HEAD, 3/8 - 16 NC X 1	2
15	22615	PIN, 5/16 X 2	1
16	22640	PIN, COTTER, 3/32 X 1	1
17	54108	ROD, TILT LOCK, 1/2 RD X 13 13/16	1
18	24285	SNAP RING, 1/2 DIA	1
19	22913	COLLAR, SET, 1/2"	1
20	22110	SET SCREW, 1/4 - 20 NC X 1/4	1
21	28120	WASHER, STAR, 3/8 ID X 11/16 OD	3
22	54133	SPACER, EXTENSION CYLINDER	1
23	20235	BOLT, HEX HEAD, 5/16 - 18 NC X 1 3/4	1
24	30299	CYLINDER, PRESSURE, 30#	1
25	21110	NUT, JAM, 5/16 - 18 NC	2
26	21710	WASHER, FLAT, 5/16 ID X 0.688 OD X 0.079	2
27	54138	BOLT, CYLINDER, 9/16 HEXAGON X 2 1/2	1
28	22233	SET SCREW, 5/16 - 18 NC X 5/8 - BRASS TIP	1
29	21110	NUT, JAM, 5/16 - 18 NC	1
30	51230	ADJUSTMENT ROD, 1/2 RD X 11 1/4	1

CHEST CUSHION ASSEMBLY



ITEM	PART NO.	DESCRIPTION	QTY.
1A	40210	CUSHION, CHEST - STANDARD	1
1B	40230	CUSHION, CHEST - WIDE	1
2	51010	ANGLE BRACE (LH)	1
3	51030	ANGLE BRACE (RH)	1
4	20022	BOLT,HEX HEAD, 1/4 - 20 NC X 1	10
5	20361	BOLT, HEX HEAD, 3/8 - 16 NC X 1 3/4	2
6	21850	WASHER, FLAT, PLASTIC, 3/8 ID X 1 OD	4
7	55945	SPACER, EXTENSION, I-FRAME, 3/8 ID X 5/8 OD X 1 1/8	2
8	55149	SUPPORT BRACKET ASS'Y, CHEST	1
9	51920	EYEROD PIN, 1/2 X 2 3/8	1
10	22640	COTTER PIN, 3/32 X 1	2
11	56409	EYE ROD ASS'Y	1
12	24286	SNAP RING, 9/16"	1
13	22935	COLLAR, SET, 9/16"	1
14	22110	SET SCREW, 1/4 - 20 NC X 1/4	1

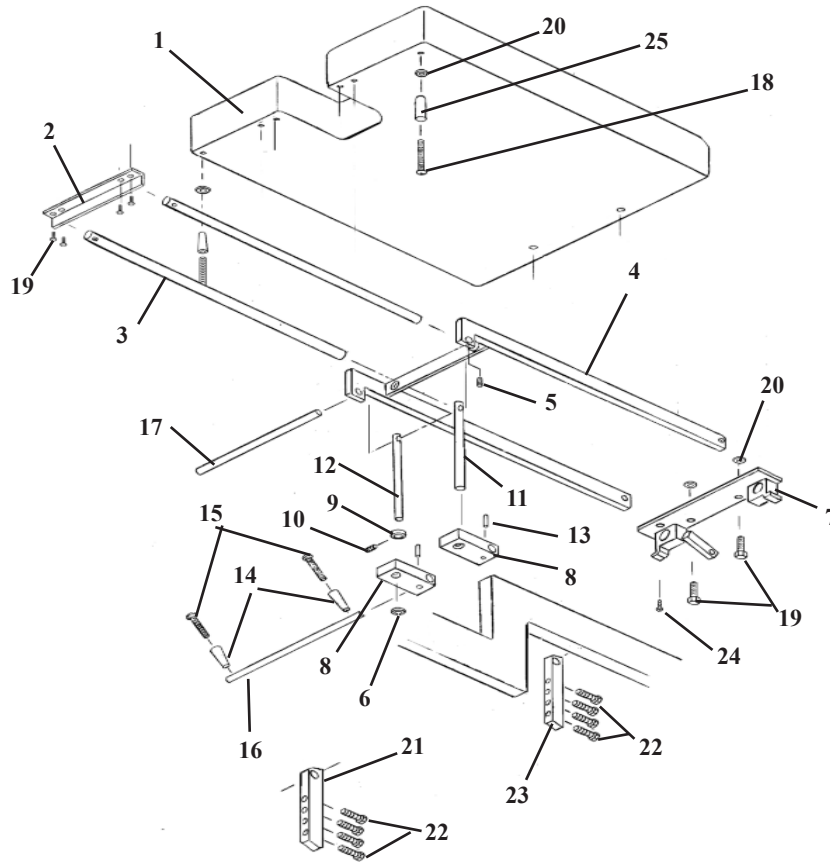
DELUXE CHEST CUSHION ASSEMBLY SPRING BREAKAWAY



DELUXE CHEST CUSHION ASSEMBLY

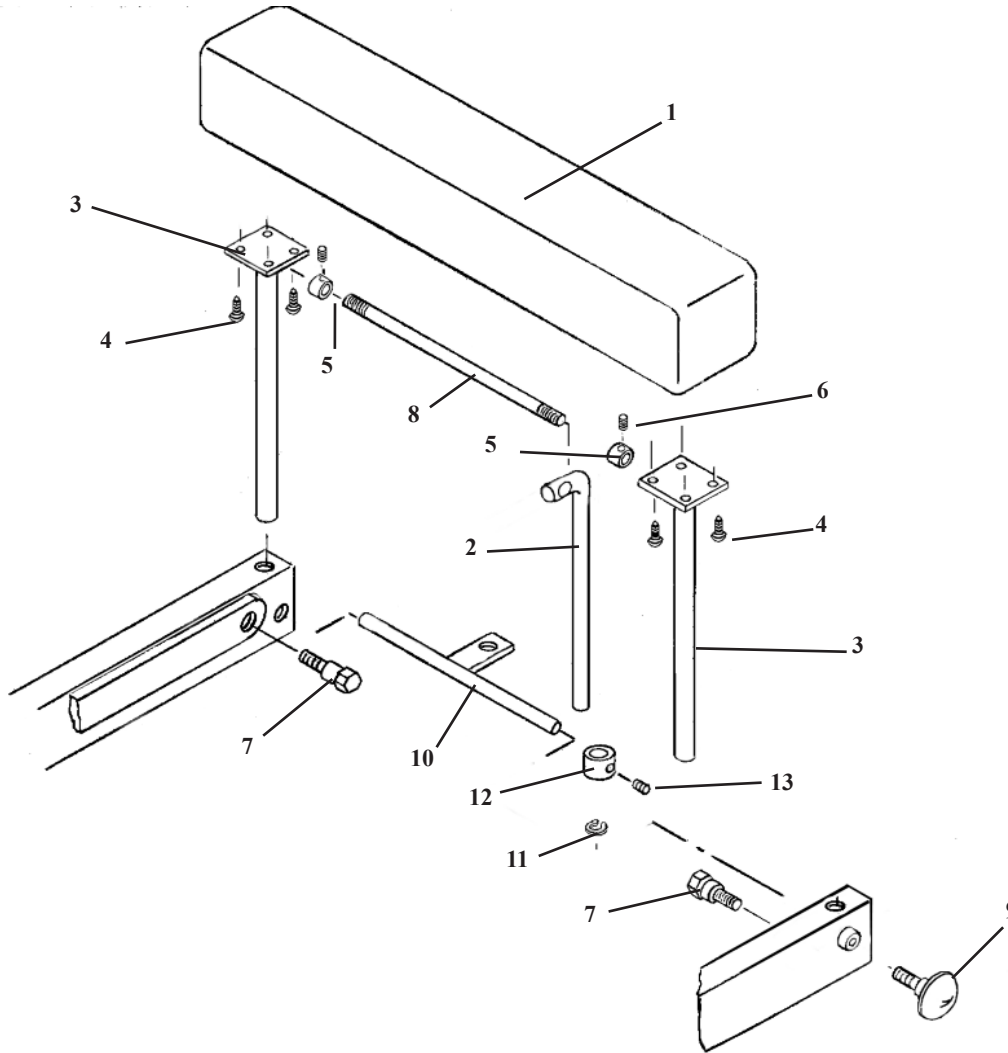
ITEM	PART NO.	DESCRIPTION	QTY.
1A	40210	CUSHION, CHEST – STANDARD	1
1B	40230	CUSHION, CHEST – WIDE	1
2	51010	BRACE, CUSHION (LH)	1
3	51030	BRACE, CUSHION (RH)	1
4	20022	BOLT, HEX HEAD, ¼ - 20 NC X 1	6
5	20361	BOLT, HEX HEAD, 3/8 – 16 NC X 1 ¾	2
6	21850	WASHER, FLAT, PLASTIC, 3/8 ID X 1 OD	2
7	55945	SPACER, EXTENSION, I-FRAME, 3/8 ID X 5/8 OD X 1 1/8	2
8	51075	SLIDE BRACKET ASSEMBLY	1
9	30870	TORSION SPRING	1
10	51074	C – FRAME ASS'Y	1
11A	20332	BOLT, HEX HEAD, 3/8 – 16 NC X 1	2
11B	55826	BOKT, HEX HEAD, 3/8-16 NC X 1 ¾ (Flexion Head)	2
12	20052	BOLT, HEX HEAD, ¼ - 20 NC X 1 ¾	10
13	21820	WASHER, STAR, 3/8 ID X 11/16 OD	2
14	51230	ADJUSTMENT ROD	1
15	22050	MACHINE SCREW, RD. HD, ¼-20 UNC X 2 ½	2
16	51110	SUPPORT BLOCK	1
17	21012	NUT, JAM, ¼ - 20 NC	1
18	22120	SET SCREW, ¼ - 20 NC X ½	1
19	30715	SPRING, COMPRESSION, 3/16 ID X 5/32 OD	1
20	22702	BALL, STEEL, 3/16 DIA	1
21	22940	COLLAR, 5/8 ID X 1 3/32 OD	1
22	51090	YOKE BLOCK	1
23	22922	COLLAR, 5/16 ID X 5/8 OD	1
24	24150	KNOB, LOCK	2
25	22854	BUSHING, 5/8 ID X 23/32 OD	1
26	30793	SPRING, COMPRESSION, 11/16 ID X 15/16 OD X 3 1/8	3
27	51068	SUPPORT ROD ASSEMBLY	1
28	20197	BOLT, SOCKET HD, 5/16 – 18 NC SHOU 3/8 X 3/8	2
29	56190	FORK ASS'Y	1
30	24286	SNAP RING, 9/16	1
31	51150	LOCK ROD, 5/16 RD X 13 9/16	1
32	50570	LOCK PIN ASS'Y	1
33	22090	SET SCREW, #10 – 32 NF X 3/16	2
34	24154	KNOB, ADJUSTMENT	2
35	51057	ROD, ADJUSTMENT, 3/8 RD X 7 ¼	1
36	51064	NUT, ADJUSTMENT (RH), 5/8 ACME THD	1
37	51058	WORM SCREW (RH), 5/8 ACME THD	1
38	22675	ROLL PIN, 1/8 X ¾	2
39	51059	WORM SCREW (LH), 5/8 ACME THD	1
40	51063	NUT, ADJUSTMENT (LH), 5/8 ACME THD	1
41	51067	ARM, LINKAGE, ¼ X ½ X 3 ½	2
42	20002	BOLT, SOCKET HD, ¼ - 20 NC SHOU 5/16 X 3/8	4
43	21760	WASHER, PLASTIC, 0.315 ID X ½ OD X 0.032	8
44	22660	ROLL PIN, 1/8 X 5/8	1
45	57737	BLOCK, ADJUSTMENT	1
46	24020	HANDLE	2

PELVIC ASSEMBLY GALAXY HYLO



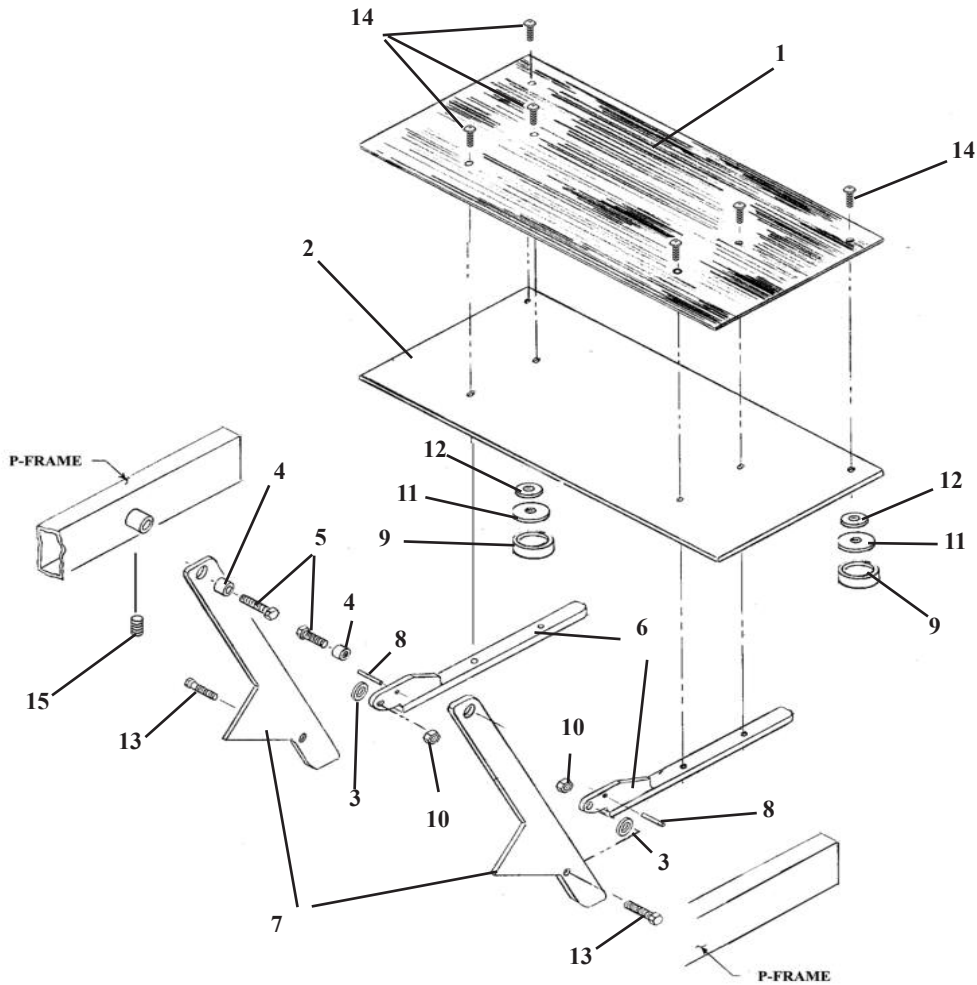
ITEM	PART NO.	DESCRIPTION	QTY.
1A	40310	CUSHION, PELVIC, NARROW	1
1B	40329	CUSHION, PELVIC, NOTCH, WIDE	1
1C	40330	CUSHION, PELVIC, WIDE	1
2	51310	ANGLE, FRONT PELVIC SUPPORT, 1/4 x 1 x 1 x 8 1/16	1
3	51330	SLIDE ROD, 23/32 x 19 3/4	2
4	56350	FRAME ASSEMBLY, PELVIC	1
5	22090	SET SCREW, #10 - 32 NF X 3/16	1
6	24286	SNAP RING, 9/16"	1
7	56370	REAR BRACKET ASSEMBLY	1
8	51390	BLOCK, HEIGHT ADJUSTMENT	2
9	22935	COLLAR, SET, 9/16"	1
10	22110	SET SCREW, 1/4 - 20 NC X 1/4	1
11	57738	EYE ROD, 9/16 RD X 7 13/16 - PLAIN	1
12	57735	EYE ROD, 9/16 RD X 7 13/16	1
13	22670	ROLL PIN, 1/8 X 3/4	2
14	24020	HANDLE	2
15	22050	SCREW, MACH, ROUND HD, 1/4 - 20 NC X 2 1/2	2
16	51430	ROD, PELVIC ADJUSTMENT, 1/2 X 13 3/16	1
17	51450	ROD, PELVIC SUPPORT	1
18	22060	SCREW, MACH, ROUND HD, 1/4 - 20 NC X 3	2
19	20020	BOLT, HEX HEAD, 1/4 - 20 NC X 1 1/4	6
20	21620	WASHER, FLAT, 1/4 ID X 9/16 OD	8
21	57616	GUIDE BRACKET ASSEMBLY, P-FRAME (RH)	1
22A	20021	BOLT, SOC HEAD, 1/4 - 20 NC X 1 (18" HYLO)	4
22B	20022	BOLT, HEX HEAD, 1/4 - 20 NC X1 (22" HYLO)	4
23	57624	BAR, SUPPORT, 7/16 X 3 1/2 (LH)	1
24	22469	SCREW, WOOD, FLAT HEAD, #10 X 7/8	1
25	24022	HANDLE, BLACK	2

ANKLE REST



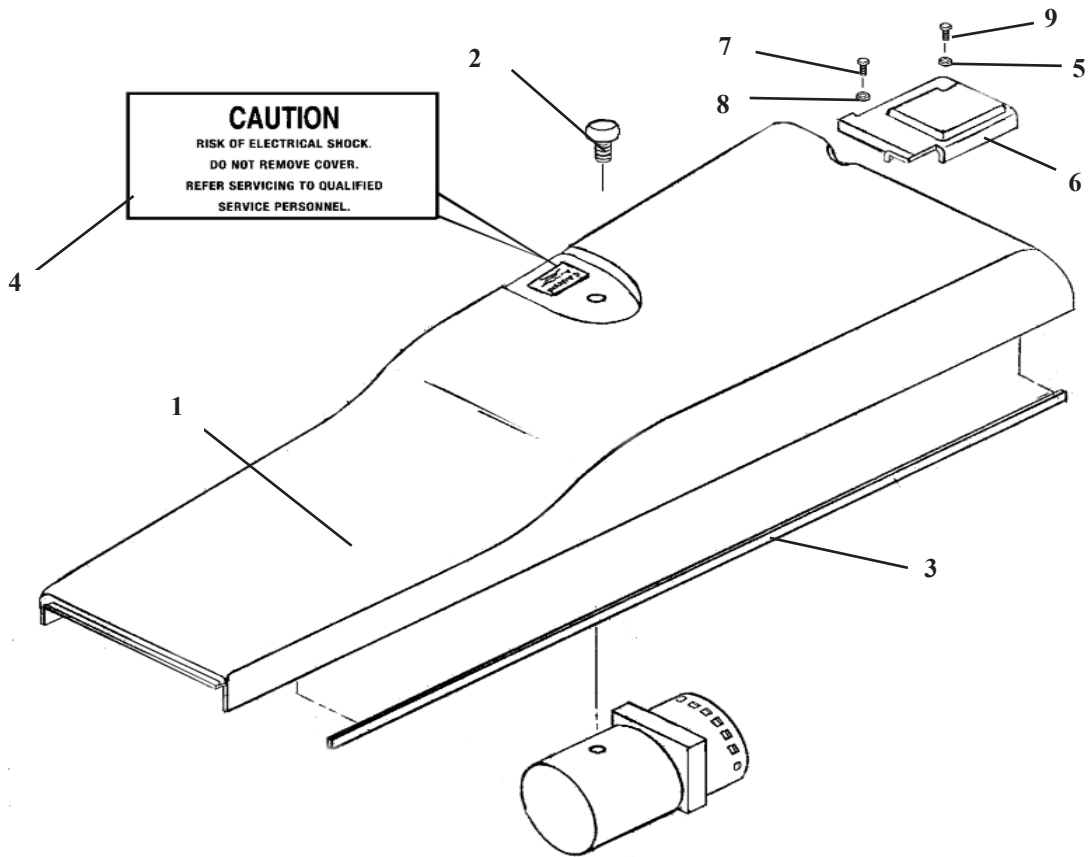
ITEM	PART NO.	DESCRIPTION	QTY.
1A	40430	ANKLE REST CUSHION, STANDARD	1
1B	40410	ANKLE REST CUSHION, WIDE	1
2	56537	EYE-ROD, 7/16 DIA X 7 11/16	1
3	56509	SUPPORT ROD ASSEMBLY	2
4	22468	SCREW, SHEET METAL, #10 X 7/8	8
5	22922	COLLAR, SET, 5/16 ID X 5/8 OD	2
6	22090	SET SCREW, #10 - 32 NF X 3/16	2
7	20199	BOLT, SOCKET HD, 5/16 - 18 NC X 1/2, SHOU 3/8 X 1/2	2
8	51550	STABILIZER ROD	1
9	24181	KNOB, LOCK, ANKLE SLIDE	1
10	56513	LOCK ASSEMBLY, 9 3/4"	1
11	24284	SNAP RING, 7/16	1
12	22932	COLLAR, STOP, 7/16 ID X 7/8 OD	1
13	22110	SET SCREW, 1/4 - 20 NC X 1/4	1

FOOT STAND ASSEMBLY



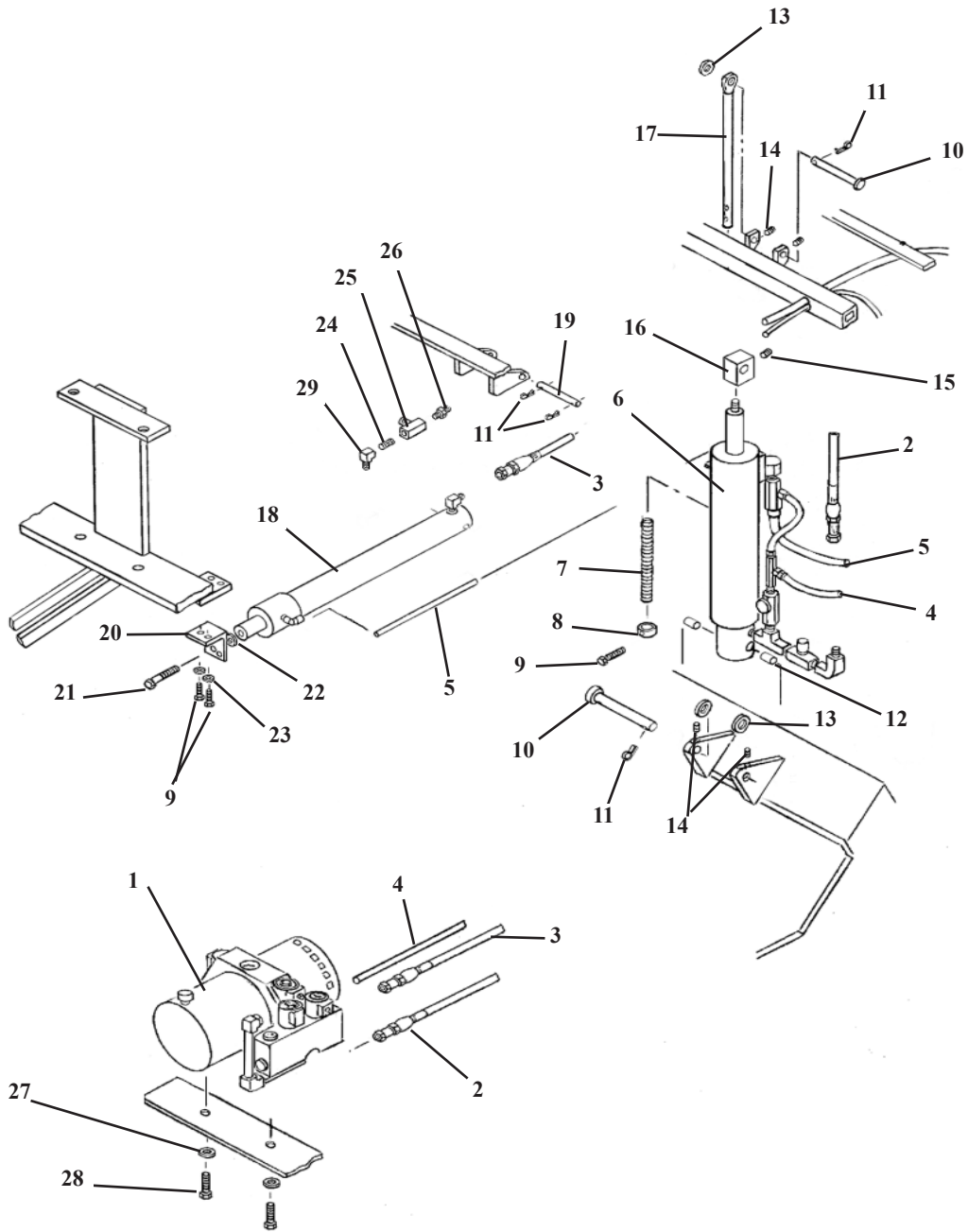
ITEM	PART NO.	DESCRIPTION	QTY.
1	40711	RUBBER, NON-SKID	1
2A	51710	PLATE, FOOT, 1/4 X 12 X 17 15/16	1
2B	51708	PLATE, FOOT, 1/4 - 10 X 17 15/16 (FOLDAWAY)	1
3	21850	WASHER, FLAT, PLASTIC, 3/8 ID X 1 OD	2
4	51751	BUSHING, TOMAHAWK, HEXAGONAL OFFSET	2
5	20222	BOLT, HEX HEAD, 5/16 - 18 NC X 1 1/4	2
6	56770	FOOT SUPPORT ASSEMBLY, ARROW	2
7A	54070	GUIDE BAR ASSEMBLY, 18" HYLO	2
7B	56802	GUIDE BAR ASSEMBLY, 22" HYLO	2
7C	54071	GUIDE BAR ASSEMBLY, 18" HYLO (FOLDAWAY FOOTPLATE)	2
7D	56798	GUIDE BAR ASSEMBLY, 22" HYLO (FOLDAWAY FOOTPLATE)	2
8	22680	ROLL PIN, 3/16 X 5/8	2
9	24409	TIP, RUBBER	2
10	21210	NUT, HEX, 3/8 - 16 NC	2
11	56774	PAD, FOOT PLATE, 1 1/4 RD X 1/8	2
12	21860	WASHER, FLAT, 3/8 ID X 13/16 OD	2
13	20350	BOLT, HEX HD, 3/8 - 16 NC X 1 1/4	2
14	22013	SCREW, MACHINE, BUTTON SOC HD, 1/4 - 20 NC X 1/2	6
15	22110	SET SCREW, 1/4 - 20 NC X 1/4	2

COVER ASS'Y GALAXY HYLO



ITEM	PART NO.	DESCRIPTION	QTY.
1A	699040	COVER, BASE FRAME (CREAM COLOR)(GALAXY)	1
1B	699040	COVER, BASE FRAME (GRAY COLOR)(ASTRO)	1
2	36970	CAP, BREATHER	1
3	24470	FOAM TAPE	2
4	31154	STICKER, CAUTION, (RISK OF SHOCK)	1
5	21510	FLAT WASHER, 3/16 ID (GALAXY ONLY)	1
6	699160	COVER, SELECTOR VALVE (22" GALAXY ONLY)	1
7	20007	BOLT, HEX HD, 1/4-20NC X 5/8 (GALAXY ONLY)	1
8	21620	FLAT WASHER, 1/4 ID (GALAXY ONLY)	1
9	21995	SCREW, MACHINE, PAN HD #10-24 NC X 1/2 (GALAXY)	1

HYDRAULIC ASSEMBLY GALAXY HYLO



HYDRAULIC ASSEMBLIES

GALAXY HYLO

ITEM	PART NO.	DESCRIPTION	QTY.
1	623600	PUMP & MOTOR ASS'Y KIT, HYLO DELUXE	1
2A	45298	HOSE, HYD, 3/16 X 27 1/2 (MOTOR TO TILT CYL)(18" HYLO)	1
2B	45295	HOSE, HYD, 3/16 X 26 1/2 (MOTOR TO TILT CYL)(22" HYLO)	1
3A	45330	HOSE, HYD, 3/16 X 42 1/2 (MOTOR TO EXT/RET CYL)(18" HYLO)	1
3B	45304	HOSE, HYD, 3/16 X 33 1/2 (MOTOR TO EXT/RET CYL)(22" HYLO)	1
4A	23630	HOSE, LEGRIS, 1/4 X 27 (MOTOR TO TILT CYL)(18" HYLO)	1
4B	23620	HOSE, LEGRIS, 1/4 X 25 (MOTOR TO TILT CYL)(22" HYLO)	1
5A	23640	HOSE, LEGRIS, 1/4 X 44 (EXT/RET CYL TO TILT CYL)(18" HYLO)	1
5B	23640	HOSE, LEGRIS, 1/4 X 47 (EXT/RET CYL TO TILT CYL)(22" HYLO)	1
6	624732	TILT CYLINDER ASS'Y	1
7	30782	SPRING, COIL	1
8	22932	COLLAR, STOP, 7/16 ID	1
9	20007	BOLT, HEX HD, 1/4 - 20 NC X 5/8	3
10	22679	PIN, CYLINDER, 1/2 RD X 3/32	2
11	22640	PIN, COTTER, 3/32 X 1	4
12	22886	BUSHING, OILITE, 1/2 X 5/8 X 1	2
13	21910	WASHER, FLAT, 1/2 ID X 1 OD	3
14	22160	SET SCREW, 1/4 - 28 NF X 1/4	4
15	22116	SET SCREW, 1/4 - 28 NF X 1/2, NYLON TIP	1
16	56969	BLOCK, TILT CYLINDER, 1 1/4 X 1 1/4 X 1 1/2	1
17	56950	EYE-ROD ASSEMBLY	1
18	624910	EXTENSION CYLINDER	1
19	51910	PIN, CYLINDER, 3/8 X 3	1
20	52097	BRACKET, CYLINDER	1
21	20222	BOLT, HEX HD, 5/16 - 18 NC X 1 1/4	1
22	21710	WASHER, FLAT, 5/16 ID X 11/16 OD	1
23	21630	WASHER, STAR, 0.26 ID X 0.49 OD	2
24	23310	NIPPLE, PIPE, 1/8 CLOSE (22" HYLO ONLY)	1
25	23570	VALVE, ADJUSTABLE FLOW (22" HYLO ONLY)	1
26	23040	COUPLER, MALE, 1/8 - JIC (22" HYLO ONLY)	1
27	21820	WASHER, STAR, 3/8 ID X 11/16 OD	2
28	20320	BOLT, HEX HEAD, 3/8 - 16 NC X 3/4	2
29	23130	FITTING, 90 DEG, 1/8 MALE - FEMALE (22" HYLO ONLY)	1

623600 - GALAXY HYLO NON-AUTO, NEW-BLOCK PUMP, MOTOR & BLOCK ASSEMBLY

- | | |
|---|---|
| # 30495 - PUMP & MOTOR, 115 VOLT, 2002 | # 23564 - BLOCK, MNIFOLD |
| # 23568 - VALVE, POPPET, NC (RELEASE) | # 36012 - COIL, 24V, SINGLE STUD (3 EACH) |
| # 23571 - VALVE, DOUBLE POPPET (SHORT FIX-ALL) (2 EACH) | # 23330 - NIPPLE, PIPE, 1/8" X 3" (2 EACH) |
| # 23130 - FITTING, 90 DEG, 1/8" MALE - FEMALE FEMALE | # 23132 - FITTING, 90 DEG, 1/8" FEMALE - FEMALE |
| # 23129 - FITTING, 90 DEG, 1/8 NPT - 1/4 COMP | # 23044 - COUPLER, MALE, MORB #4 To JIC |
| # 23155 - FITTING, 90 DEG, MORB # 4 To JIC | # 23403 - PLUG, #4 CAVITY |

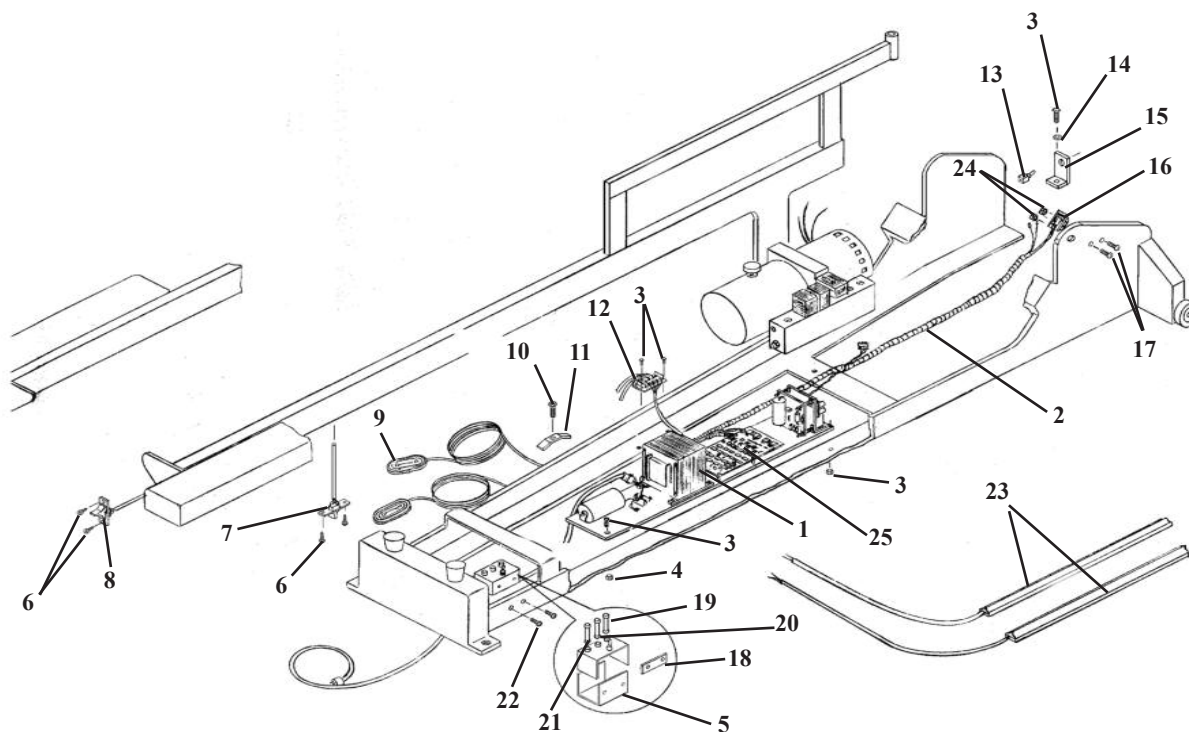
624732 - TILT CYLINDER ASSEMBLY

- | | |
|---|---------------------------------------|
| # 56942 - TILT CYLINDER | # 23321 - NIPPLE, PIPE, 1/8" X 1 1/4" |
| # 23210 - FITTING, MALE RUN TEE, 1/8" | # 23570 - VALVE, ADJUSTABLE FLOW |
| # 23110 - FITTING, 90 DEG, 1/8" MALE To JIC | # 23580 - VALVE, NEEDLE |
| # 23161 - FITTING, 90 DEG, 1/4" STREET To 1/8" FEMALE | # 23610 - HOSE, LEGRIS, 1/4" X 11" |
| # 23209 - FITTING, MALE COMPRESSION TEE, 1/4" To 1/8" PIPE (2 EACH) | |

624910 - HEAD & CHEST EXTENSION CYLINDER ASSEMBLY # 56942 - TILT CYLINDER

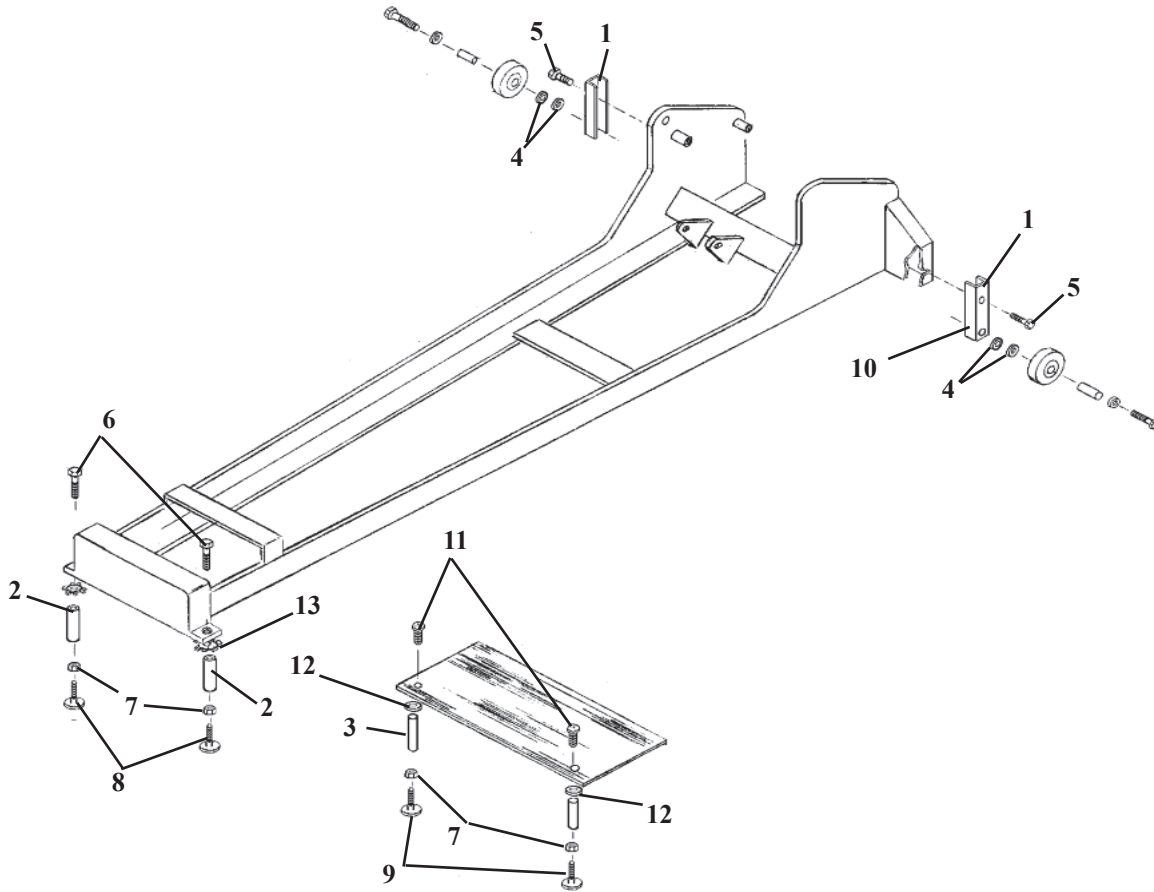
- | | |
|---|--|
| # 56953 - EXTENSION CYLINDER | # 23129 - FITTING, COMP, 90 DEG, 1/8 NPT To 1/4 COMP |
| # 23110 - FITTING, 90 DEG, 1/8" MALE To JIC | |

ELECTRICAL ASSEMBLY GALAXY HYLO



ITEM	PART NO.	DESCRIPTION	QTY.
1	45000	ELECTRICAL UNIT ASSEMBLY	1
2	45105	WIRE HARNESS ASSEMBLY	1
3	21995	SCREW, MACHINE, #10 - 24 X 1/2	5
4	21450	NUT, HEX, #10 - 24 NC	2
5	44053	AC DISTRIBUTION BOX	1
6	22450	SCREW, SHEET METAL, #8 X 5/8	4
7	45166	SWITCH, TOGGLE, EXTENSION	1
8	44047	SWITCH ASS'Y, TILT DOWN ACTIVATION	1
9	44091	PEDAL ASS'Y, DIRECTION CONTROL	1
10	20120	BOLT, HEX HEAD, 1/4 - 28 NF X 1	1
11	52073	CLAMP, WIRE	1
12	38345	TERMINAL STRIP, 4-POSITION	1
13	38310	SWITCH ASS'Y, MANUAL / SEMI-AUTO SELECT	1
14	21510	WASHER, FLAT, 3/16 ID X 1/2 OD	1
15	52016	PLATE, MOUNTING	1
16	44048	SWITCH ASS'Y, TILT LIMIT	1
17	21976	SCREW, MACHINE, PAN HEAD, #6 - 32 NC X 3/4	2
18	52081	PLATE, REINFORCEMENT	1
19A	36322	FUSE, 0.125A, 220 - 250V	1
19B	36325	FUSE, 0.25A, 120V	1
19C	36320	FUSE, 0.5A, 100V	1
20A	36333	FUSE, 0.75A, 220 - 250V	1
20B	36335	FUSE, 1A, 120V	1
20C	36340	FUSE, 2A, 100V	1
21A	36352	FUSE, 4A, 220 - 250V	1
21B	36360	FUSE, 6A, 120V	1
21C	36370	FUSE, 8A, 100V	1
22	21985	SCREW, MACHINE, FLAT HEAD, #8 - 32 NC X 3/4	2
23A	44093	SWITCH ASS'Y, TAPE, ALL AUTO, 36" LONG PAIR	1
23B	44094	SWITCH ASS'Y, TAPE, DROP PELVIC, 12" LONG PAIR	1
24	21410	NUT, HEX, #6 - 32 NC	2

EXTENSION KIT GALAXY HYLO



* Hex head bolts are screwed thru Base Cap into Extension Bar for 22" Hylo.

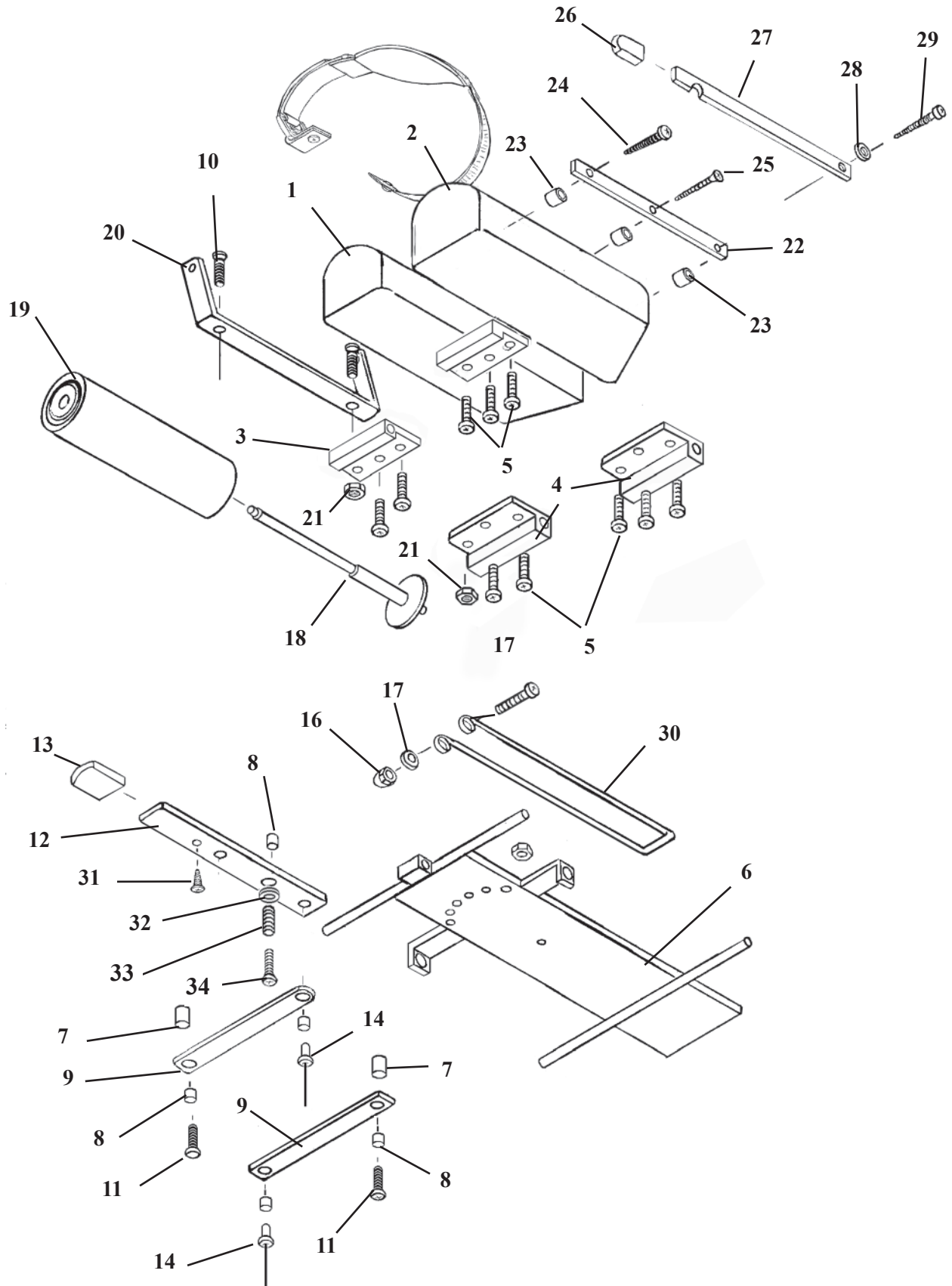
For the 18" Hylo cut 1" of thread off of # 20222 bolt and screw into Extension Rod.

The cut-off bolt screws into bottom of Base Cap.

EXTENSION KIT HEIGHT

Part No.	Description
621000	2" Extension Kit
622000	4" Extension Kit
623000	6" Extension Kit

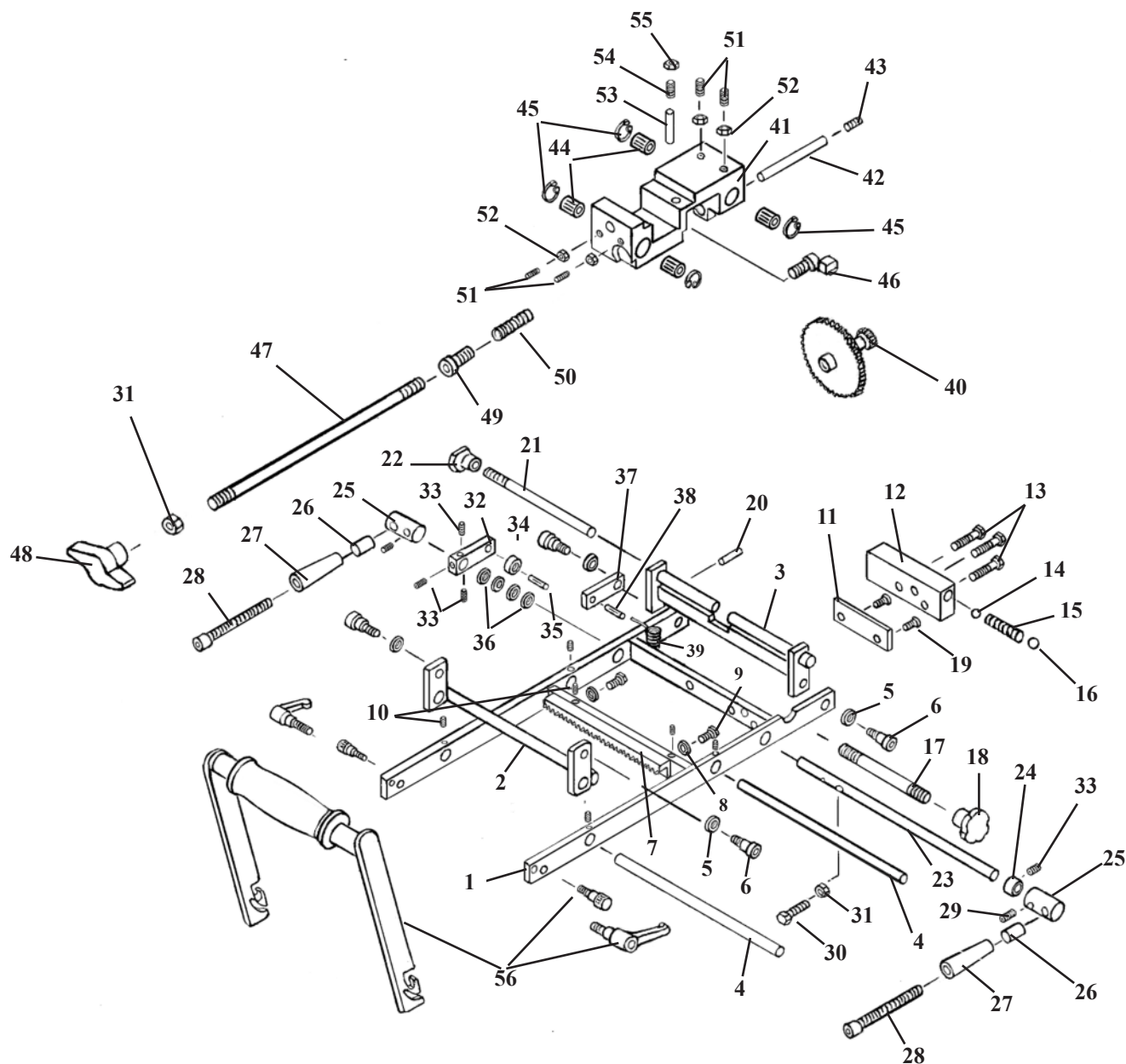
FLEXION HEAD CUSHION ASSEMBLY



FLEXION HEAD CUSHION ASSEMBLY

ITEM	PARTNO.	DESCRIPTION	QTY.
1	40980	HEAD CUSHION ASSEMBLY (RH)	1
2	40979	HEAD CUSHION ASSEMBLY (LH)	1
3	57155	GUIDE BRACKET	2
4	57156	GUIDE BRACKET	2
5	22003	SCREW, MACHINE, PAN HEAD, #10 – 24 UNC X 3/4	12
6	55825	INSIDE HEAD FRAME	1
7	57174	SPACER, FORWARD DROP, 3/16 X 1/2 X 5/8	4
8	22860	BUSHING, 3/16 ID X ¼ OD	5
9	57175	LINKAGE BAR	2
10	21995	SCREW, MACHINE, PAN HEAD, #10 – 24 NC X 1/2	2
11	22009	SCREW, MACHINE, PAN HD, #10 – 24 UNC X 1 1/2	2
12	57188	ADJUSTMENT BAR	1
13	24236	PLASTIC CAP	1
14	22695	RIVET, 3/16 X 3/8	2
15	22009	SCREW, MACHINE, PAN HEAD, #10 – 24 UNC X 1 1/2	1
16	21447	NUT, ACORN, #10 – 24 UNC	1
17	21510	WASHER, FLAT, 3/16 ID X 1/2 OD	2
18A	57956	HANGER ASSEMBLY	1
18B	56430	HANGER ASSEMBLY (TILT TABLES ONLY)	1
19	29999	CREPE HEAD REST PAPER	1
20	55841	BRACKET, PAPER HOLDER, FLEX HEAD	1
21	21450	NUT, HEX, #10 – 24 UNC	2
22	55844	INSIDE CUTTING BAR	1
23	50720	SPACER, PAPER CUTTER, 3/8 ID X 1/2 OD	3
24	22522	SCREW, WOOD, ROUND HEAD, #9 X 2	1
25	22510	SCREW, WOOD, FLAT HEAD, #9 X 1 1/2	1
26	24235	GUARD, CUTTING BAR	1
27	55843	OUTSIDE CUTTING BAR	1
28	21610	WASHER, FLAT, PLASTIC, 0.26 ID X 1/2 OD	1
29	22550	SCREW, WOOD, ROUND HEAD, #14 X 2	1
30	30700	CENTER PAPER WIRE, FLEXION HEAD, 1/8 X 25	1
31	22300	SCREW, MACHINE, #8 – 32 UNC X 1/4	1

ROTATION BLOCK ASSEMBLY FLEXION HEAD



Item 56 - Flexion Handle Kit #634010

Part No.	Description	Qty
55838	Handle Tube	1
55836	Side Ass'y (RH)	1
55837	Side Ass'y (LH)	1
24023	Handle Grip	1
24024	Adjustable Thumb Handle	2
20188	Socket Hd. Bolt #10-24	2
22410	Pan Hd. Screw	2
24060	Buckle, Plastic	1
28108	Harness, Hd, Neoprene	1

607230 - Head Restraint

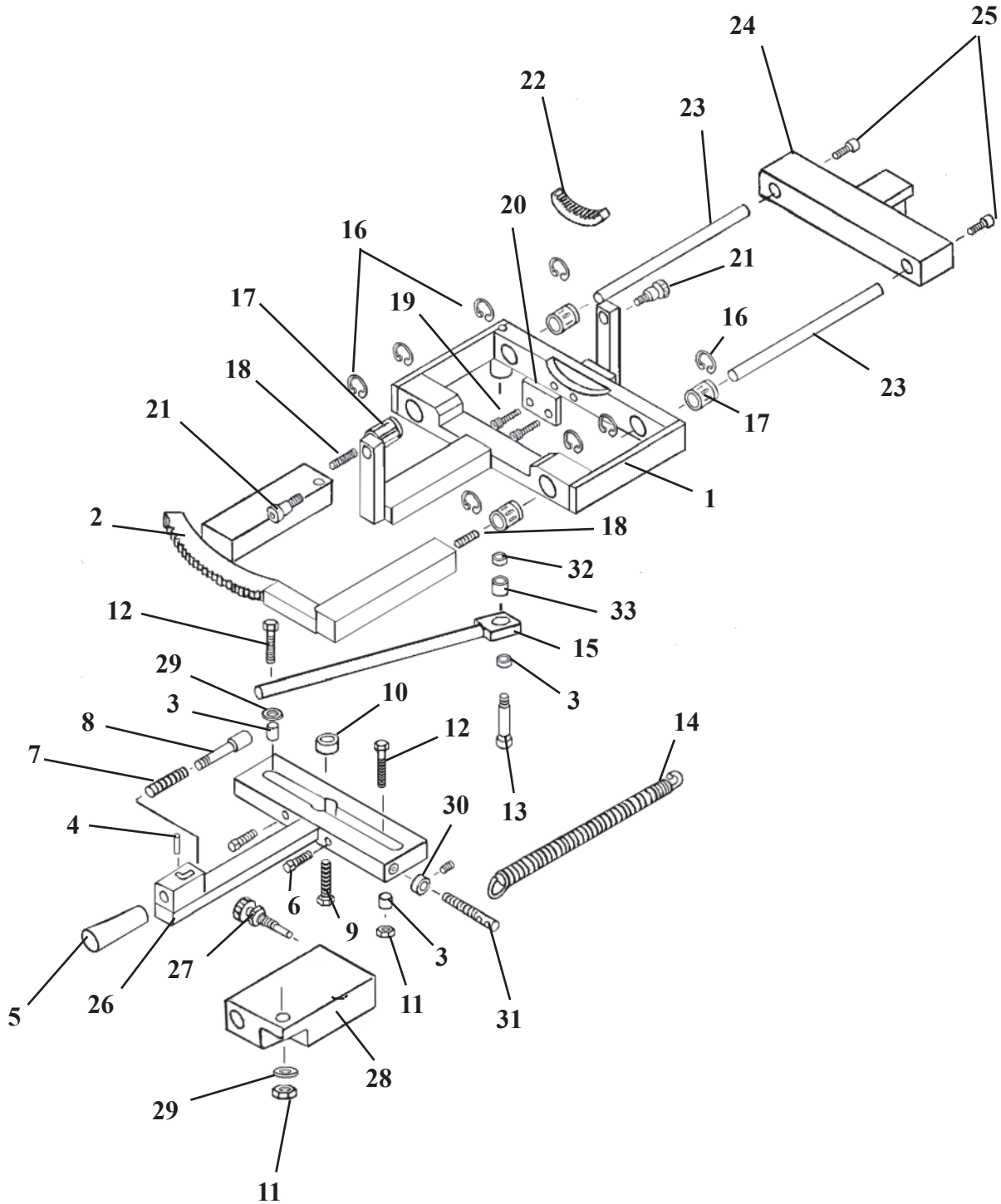
Part No.	Description	Qty
24060	Buckle, Plastic	1
24220	Snap, Inside	2
24222	Snap, Outside	2
28110	Pad, Head	1
28551	Velcro, Loop (3")	1
28552	Velcro, Hook (3")	1
28600	Poly Strap, 1 1/4 (14")	1

ROTATION BLOCK ASSEMBLY FLEXION HEAD

ITEM	PART NO.	DESCRIPTION	QTY.
1	55777	ROTATION FRAME ASSEMBLY, FLEXION HEAD	1
2	55773	PIVOT ARM ASSEMBLY, FLEXION HEAD	1
3	55963	STABILIZER BRACKET ASS'Y, SWIVEL HEAD	1
4	55788	GUIDE ROD, CRADLE ASS'Y, FLEX HD, 3/8 RD X 7 5/8	2
5	21610	WASHER, FLAT, PLASTIC, 0.26 ID X 1/2 OD	4
6	20002	BOLT, SOCKET HEAD, 1/4 - 20 UNC SHOULDER 5/6 X 3/8	4
7	55984	GEAR RACK MOUNT ASS'Y, SWIVEL HEAD	1
8	21510	WASHER, FLAT, 3/16 ID X 1/2 OD	2
9	20000	BOLT, HEX HEAD, #10 - 32 UNF X 1/2	2
10	22090	SCREW, SET, #10 - 32 UNF X 3/16	6
11	55815	MOUNTING PLATE, FLEXION HEAD, 1/4 X 1 X 2 3/8	1
12	55789	BLOCK, DROP, FLEXION HEAD, 5/8 X 1 X 2.575	1
13	22001	SCREW, MACHINE, FLAT HEAD, #10 - 24 UNC X 1	3
14	22701	BALL, STEEL, 1/4" DIA	1
15	30721	SPRING, COMPRESSION, 9/64 ID X 1/4 OD X 1 1/4	1
16	22700	BALL, STEEL, 3/8" DIA	1
17	52172	ROD, ADJUSTMENT, 5/16 X 3 1/6	1
18	24150	KNOB, ADJUSTMENT	1
19	22073	SCREW, MACH, FLAT HD, 5/16 - 18 UNC X 7/16-GROUND OFF	2
20	22657	PIN, ROLL, 1/8 X 3/8	1
21	55968	ROD, LOCK	1
22	24160	KNOB, LOCK, STABILIZER, SWIVEL HD, 1/4 RD X 6 1/4	1
23	56036	COCKING ROD, 3/8 RD. X 13	1
24	22912	COLLAR, 3/8" ID	1
25	56035	COLLAR, COCKING ROD, SWIVEL HD, 3/4 RD X 1 1/4	2
26	52192	HANDLE, EXTENSION, 1/4 ID X 9/16 OD X 1	2
27	24021	HANDLE, YELLOW	2
28	20129	BOLT, SOCKET HD, 1/4 - 20 UNC X 3 1/2	2
29	22250	SCREW, SET, 5/16 - 24 UNF X 1/2	2
30	20022	BOLT, HEX HD, 1/4 - 20 UNC X 1	1
31	21010	NUT, HEX, 1/4 - 20 UNC	2
32	58089	ARM, 3/8 X 5/8 X 2 5/16	1
33	22110	SCREW, SET, 1/4 - 20 UNC X 1/4	4
34	22805	BEARING, BALL, 1/4 ID	1
35	22688	PIN, ROLL, 1/4 X 5/8	1
36	21800	WASHER, FLAT, PLASTIC, 3/8 ID X 5/8 OD X 1/16	4
37	55821	COCKING ARM, FLEXION HEAD ASS'Y, 3/16 X 1/2 X 2	1
38	22660	PIN, ROLL, 1/8 X 5/8	1
39	30725	SPRING, EXTENSION, 1/4 ID X 5/16 OD X 1 1/8 (MODIFIED)	1
40	55814	GEAR TRAIN, ROTATION FRAME ASS'Y, FLEXION HEAD	1
41	30423	CRADLE BLOCK, FLEXION HEAD	1
42	55820	AXLE	1
43	22230	SCREW, SET, 5/16 - 18 UNC X 1/4	1
44	22892	BUSHING, 3/8 ID X 7/8 - SUPER 6	4
45	24048	C - CLIP	4
46	55782	GEAR LOCK	1
47	55824	LOCK ROD	1
48	24163	KNOB, PLASTIC, T - HANDLE	1
49	55823	GUIDE PLUG, FLEXION HEAD ASS'Y	1
50	30732	SPRING, COMPRESSION, 1/4 ID X 1 3/8	1
51	22095	SCREW, SET, #10 - 24 - UNC X 1/2	4
52	21450	NUT, HEX, #10 - 24 UNC	4
53	57178	PIN, ADJUSTMENT, 1/4 RD X 5/8	1
54	22231	SCREW, SET, 5/16 - 18 UNC X 3/4	1
55	21110	NUT, JAM, 5/16 - 18 UNC	1
56	634010	HANDLE ASSEMBLY	1

SLIDE FRAME ASS'Y

FLEXION HEAD

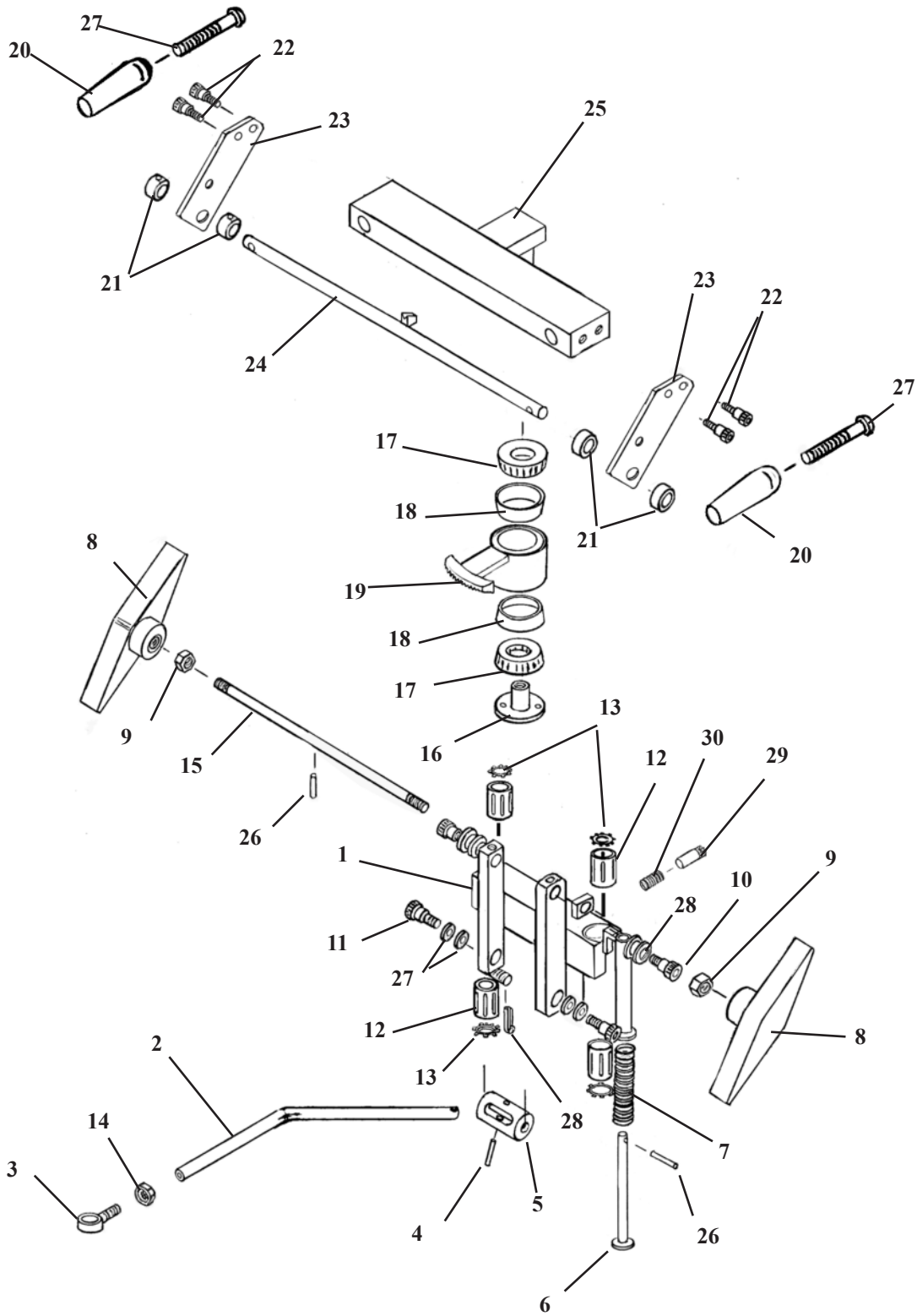


SLIDE FRAME ASSEMBLY FLEXION HEAD

ITEM	PART NO.	DESCRIPTION	QTY.
1	55778	SLIDE BRACKET ASS'Y	1
2	55794	LOCK FRAME ASS'Y	1
3	22865	BUSHING, ¼ ID X 5/16 OD	3
4	22657	ROLL PIN 1/8 X 3/8	1
5	24161	KNOB, TAPERED, 1/4 - 20 INSERT	1
6	22031	SOCKET HD SCREW, ¼-20 UNC X 1 ¼	2
7	30750	COMPRESSION SPRING	1
8	55762	LOCK PISTON	1
9	20332	HEX. HD. BOLT 3/8-16 UNC X 1	1
10	22810	ROLL BEARING	1
11	21020	HEX. NUT, ¼-28 UNF	2
12	55813	HEX. HD. BOLT ¼-28 UNF X 1 1/4	2
13	20010	HEX. BOLT, ¼-20 UNC X 3/4	1
14	30777	RETURN SPRING 1/2OD X 3 ½	1
15	55875	LINKAGE BAR	1
16	24287	C-CLIP	8
17	22892	BEARING S6, 3/8ID X 5/8 OD	4
18	55809	STUD, #10-32 UNF X ¾	2
19	22004	SOCKET HD. BOLT, #10-24 UNC X 1	2
20	55957	SUPPORT PLATE	1
21	20199	SOCKET HD. BOLT, 5/16-18 UNC, 3/8 X ½ SHLD.	2
22	56026	RING GEAR	1
23	55763	GUIDE ROD	2
24	55768	SIDE BENDING BLOCK	1
25	21997	SOCKET HD. BOLT, #10-32UNF X ½	2
26	55758	MOTION HANDLE ASS'Y	1
27	20322	LOCK BOLT	1
28	55874	LOCK BLOCK	1
29	21620	FLAT WASHER ¼ ID	2
30	22921	COLLAR	1
31	20258	HEX. HD. BOLT, 5/16-18UNC X 2 ½	1

FLEXION HEAD SHUTTLE ASSEMBLY

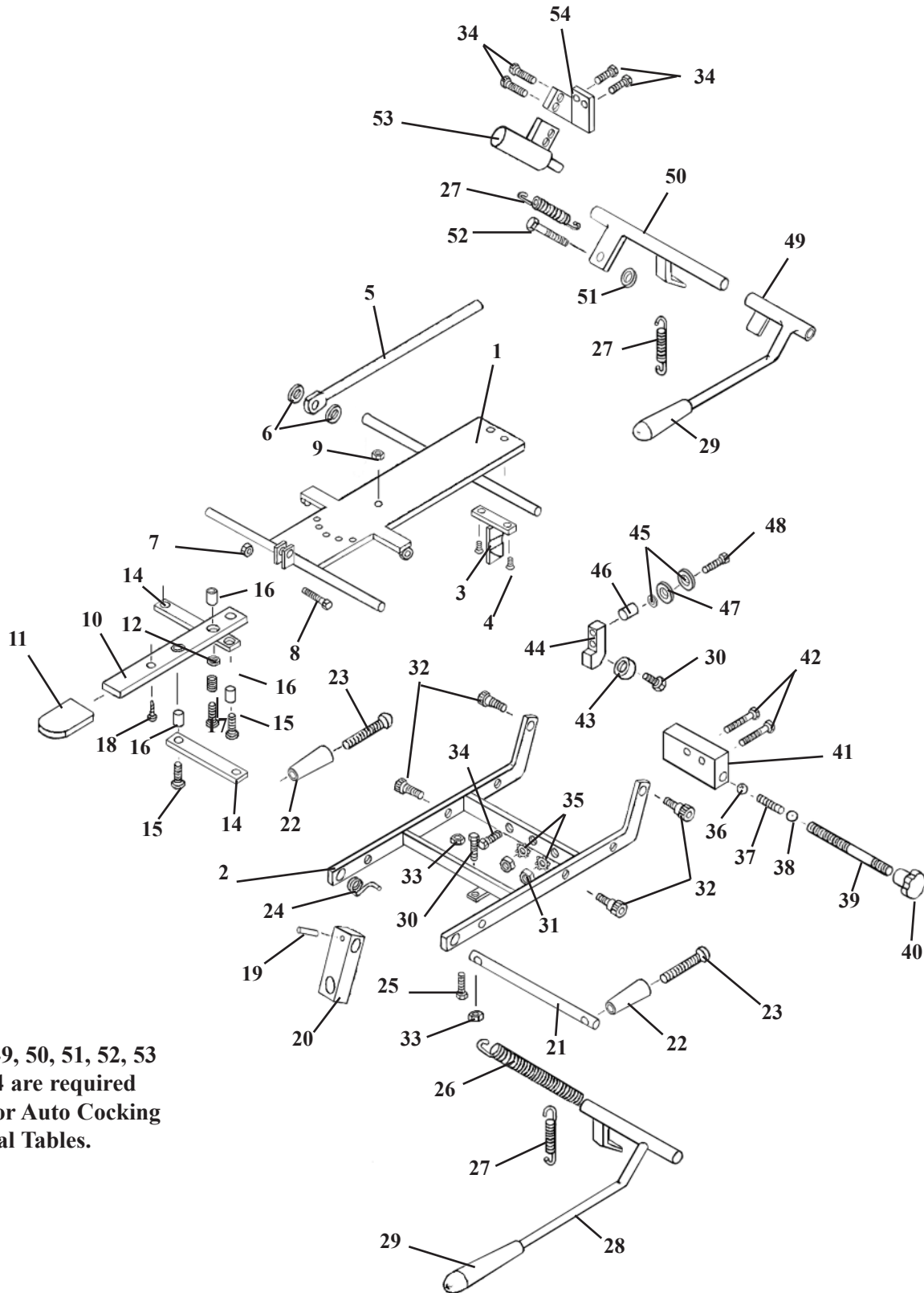
(617457)



**FLEXION HEAD
SHUTTLE ASS'Y**

ITEM	PART NO.	DESCRIPTION	QTY.
1	55750	SHUTTLE ASS'Y	1
2	55787	LINKAGE ROD	1
3	22740	SWIVAL JOINT END	1
4	22689	SHEAR PROOF PIN, ¼ 1 1/4	1
5	55757	ROTATION CYLINDER	1
6	55959	PLUNGER	1
7	30740	COMPRESSION SPRING	1
8	24186	ADJUSTMENT HANDLE	2
9	21210	HEX NUT, 3/8-16 UNC	2
10	20199	SHOULDER BOLT, 5/16-18 UNC X ½	2
11	20003	SHOULDER BOLT, ¼-20 UNC X ½	2
12	22891	GLIDE BEARING	4
13	24050	SNAP RING	4
14	21020	HEX NUT, ¼-28UNF	1
15	55949	ADJUSTMENT ROD	1
16	55764	LOCK COLLAR	1
17	22835	ROLLER BEARING	2
18	22800	RACE, BEARING	2
19	55889	BEARING HUB	1
20	24022	LOCK HANDLE	2
21	22910	COLLAR	4
22	21997	SOCKET SCREW, #10-32 UNC X ½	4
23	55879	SUPPORT PLATE	2
24	55872	LOCK ROD Ass'y	1
25	55768	ROTATION LOCK	1
26	22675	ROLL PIN	1
27	22038	SOCKET HD. MACHINE SCREW, 1/4-20UNC X 2	2
28	22640	COTTER PIN 3/32 X 1	1
29	56007	LOCK PIN	1
30	30750	COMPRESSION SPRING	1

STRAIGHT DROP HEAD ASS'Y

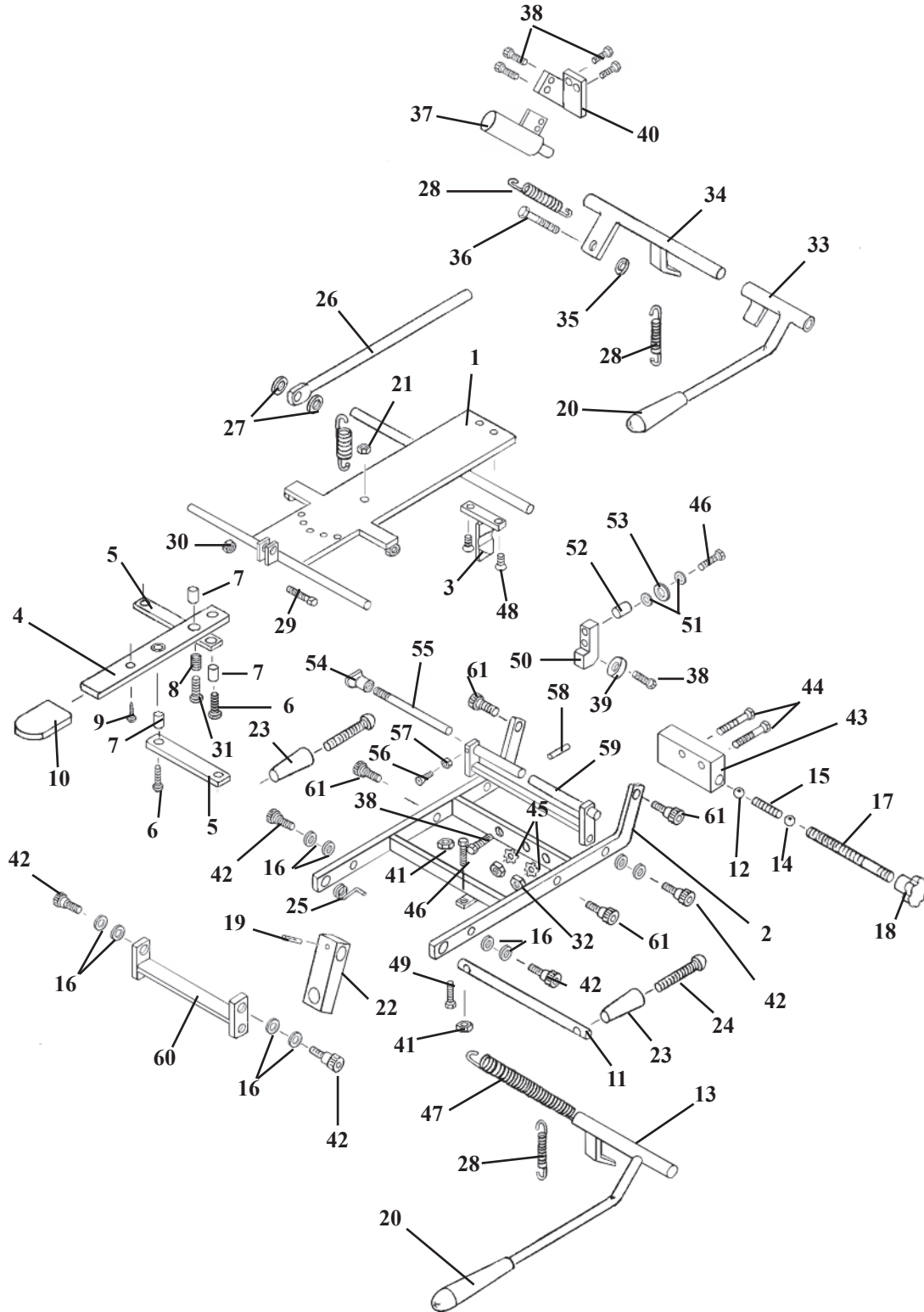


Items 49, 50, 51, 52, 53 and 54 are required only for Auto Cocking Cervical Tables.

STRAIGHT DROP HEAD ASSEMBLY

ITEM	PART NO.	DESCRIPTION	QTY.
1	56011	FASTER PLATE ASS'Y, '89 STRAIGHT DROP HD	1
2	57201	OUTSIDE DROP FRAME ASS'Y, '89 FM HEAD	1
3	55850	TEE WEDGE ASSEMBLY	1
4	22017	SCREW, MACHINE, FLAT HEAD, 1/4 - 20 UNC X 1/2	2
5	55929	CENTER ROD ASSEMBLY	1
6	21616	WASHER, PLASTIC, 1/4 ID X 3/4 OD	2
7	21020	NUT, HEX, 1/4 - 28 UNF	1
8	20115	BOLT, HEX HEAD, 1/4 - 28 UNF X 3/4	1
9	21450	NUT, HEX, # 10 - 24 UNC	1
10	57221	ADJUSTMENT ARM, 1/8 X 7/8 X 8	1
11	24236	GUARD, TEE HANDLE	1
12	30722	SPRING, COMPRESSION, 0.235 ID X 5/16 OD X 1/2	1
13	21610	WASHER, PLASTIC, 0.26 ID X 1/2 OD	2
14	57175	LINKAGE BAR, 1/8 X 1/2 X 3 13/16	2
15	21995	SCREW, MACHINE, PAN HEAD, # 10 - 24 UNC X 1/2	2
16	57181	BUSHING, 0.465 ID X 9/16 OD X 19/32	3
17	22003	SCREW, MACHINE, PAN HEAD, # 10 - 24 UNC X 3/4	1
18	22300	SCREW, MACHINE, # 8 - 32 UNC X 1/4	1
19	22660	ROLL PIN, 1/8 X 5/8	1
20	54107	BLOCK, ADJUSTING, '89 HEAD, 5/8 X 1 X 2 15/16	1
21	57205	ROD, TILT HANDLE, 3/8 RD X 5 1/2	1
22	24020	HANDLE	2
23	22050	SCREW, MACHINE, RD HEAD, 1/4 - 20 - UNC X 2 1/2	2
24	30871	SPRING, TORSION	1
25	20024	BOLT, SOCKET HEAD, 1/4 - 20 UNC X 1 1/4	1
26	30785	SPRING, TENSION (HYLO TABLES)	1
27	30725	SPRING, EXTENSION, 1/4 ID X 5/16 X 1	1
28	56067	COCKING HANDLE ASS'Y, F/M '89 HEAD	1
29	24010	HANDLE GRIP	1
30	20020	BOLT, HEX HEAD, 1/4 - 20 UNC X 1 1/4	2
31	21112	NUT, HEX, 5/16 X 18 UNC	2
32	20197	BOLT, SOCKET HEAD, 5/16 - 18 UNC, SHOULDER, 3/8 X 3/8	4
33	21012	NUT, JAM, 1/4 - 20 UNC2	2
34	20007	BOLT, HEX HEAD, 1/4 - 20 UNC X 5/8	6
35	21755	WASHER, STAR, 5/16 ID	2
36	22701	BALL, STEEL, 1/4 RD	1
37	30721	SPRING, COMPRESSION, 0.175 ID X 23/64 OD X 1 1/8	1
38	22700	BALL, BEARING, 3/8 RD	1
39	57184	STUD, TENSION ADJUSTMENT, 5/16 RD X 2 1/4	1
40	24150	KNOB, TENSION ADJUSTMENT	1
41	55849	BLOCK, DROP, 1 X 1 7/16 X 2 3/32	1
42	20235	BOLT, HEX HEAD, 5/16 - 18 UNC X 1 3/4	2
43	22805	BALL, BEARING, 1/4 ID	1
44	57102	BLOCK, BACKER BEARING, STRAIGHT DROP, 3/4 X 9/16 X 1 1/4	1
45	21620	WASHER, FLAT, 1/4 ID X 9/16 OD X 3/16	2
46	50720	SPACER, 3/8 ID X 1/2 OD X 1/2	1
47	21710	WASHER, FLAT, 5/16 ID X 0.688 OD	1
48	20022	BOLT, HEX HEAD, 1/4 - 20 UNC X 1	1
49	56069	COCKING HANDLE ASS'Y, F/M '89 HEAD (AUTO DROP)	1
50	57140	COCKING LEVER ASS'Y, F/M '89 HEAD (AUTO DROP)	1
51	21210	NUT, HEX, 3/8 - 16 UNC (AUTO DROP)	1
52	20320	BOLT, HEX HEAD, 3/8 - 16 UNC X 3/4 (AUTO DROP)	1
53	625020	COCKING CYLINDER, 3/4 RD w/FITTINGS (AUTO DROP)	1
54	57194	BRACKET, CYLINDER ADAPTER (AUTO DROP)	1

FORWARD MOTION HEAD FRAME ASS'Y

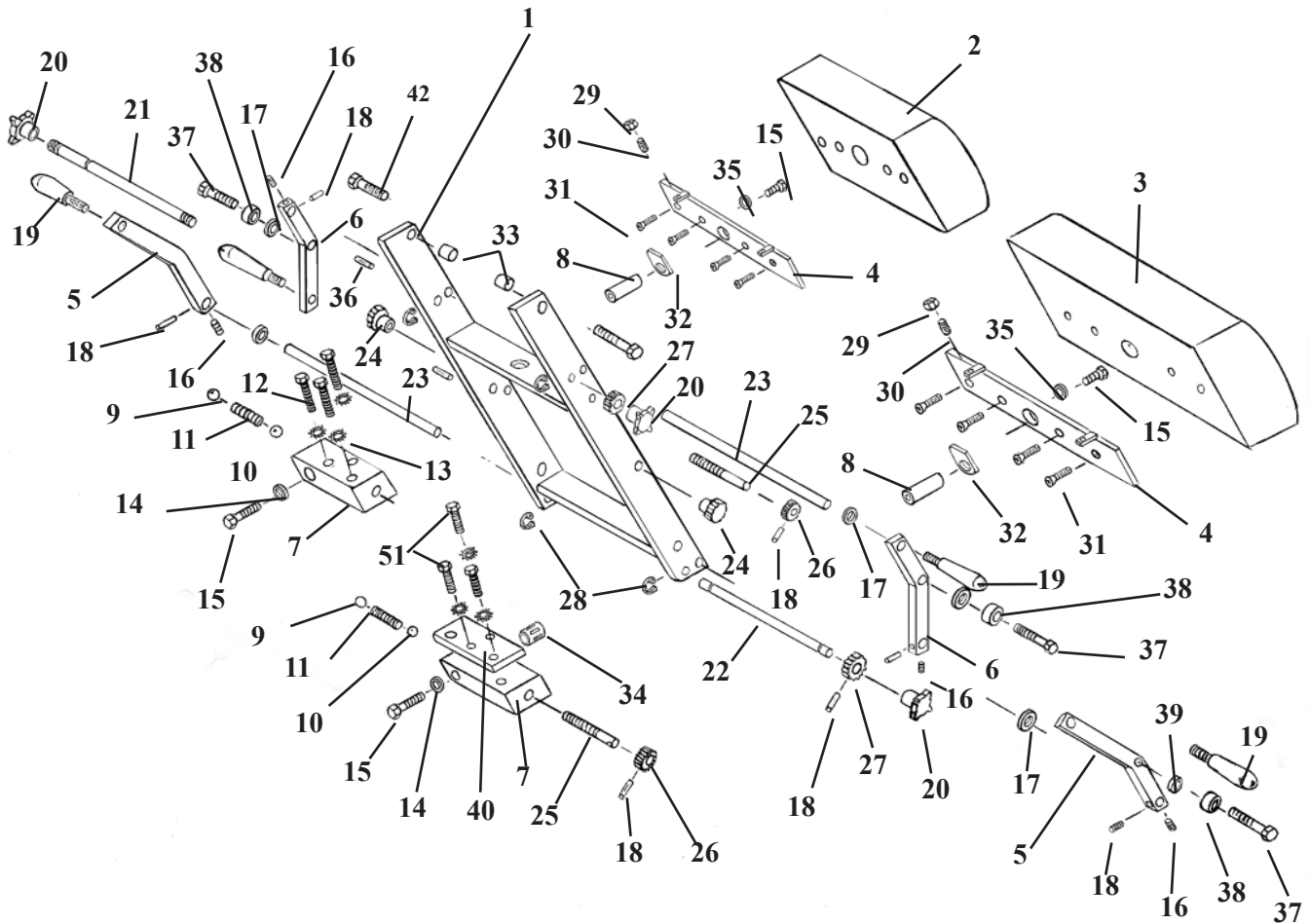


NOTE:
ITEMS 28, 33, 34, 35, 36, 37, 38 & 40
ARE USED ONLY FOR TABLES WITH
AUTO COCKING CERVICAL.

FORWARD MOTION HEAD FRAME

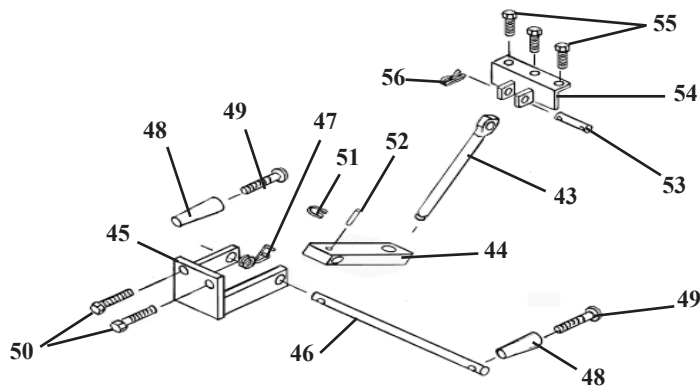
ITEM	PART NO.	DESCRIPTION	QTY
1	56059	OUTSIDE DROP FRAME ASS'Y	1
2	57201	OUTSIDE HEAD FRAME ASS'Y	1
3	55850	TEE WEDGE	1
4	57221	ADJUSTMENT ARM, HEAD CUSHION	1
5	57175	LINKAGE BAR, 1/8 X 1/2 X 3 9/16	2
6	21995	PAN HD. MACHINE SCREW, #10-24 NC X 1/2	2
7	22860	BUSHING, 3/16 ID X 1/4 OD	3
8	30722	COMPRESSION SPRING, 1/4 ID X 5/16 OD	1
9	22300	MACHINE SCREW, #8-32 NC X 1/4	1
10	24236	PLASTIC CAP	1
11	57205	SUPPORT ROD, 3/8 RD. X 6 1/16	1
12	22700	BALL, STEEL, 3/8 DIA	1
13	56067	COCKING LEVER ASS'Y	1
14	22701	BALL, BEARING, 1/4 DIA	1
15	30710	COMPRESSION SPRING, 9/64 ID X 1/4 OD	1
16	21760	PLASTIC WASHER, 5/16 ID X 1/2 OD	12
17	57184	TENSION ADJUSTMENT SCREW, 5/16 RD. X 2 3/4	1
18	24150	KNOB, TENSION ADJUSTMENT	1
19	22660	ROLL PIN, 1/8 X 5/8	1
20	24010	COCKING HANDLE	1
21	21450	HEX NUT, #10-24 NC	1
22	54107	ADJUSTING BLOCK, 5/8 X 1.00 X 2 15/16	1
23	24020	ADJUSTMENT HANDLE	2
24	22050	MACHINE SCREW, RD. HD., 1/4-20 NC X 2 1/2	2
25	30871	TORSION SPRING	1
26	55929	CENTER BAR,	1
27	21616	WASHER, FLAT, PLASTIC, 1/4 ID X 3/4 OD	2
28	30725	RETURN SPRING	2
29	20115	HEX.HD BOLT, 1/4-28 NF X 3/4	1
30	21020	NUT, HEX, 1/4-28 NF	1
31	22003	PAN HD. SCREW, #10-24 UNC X 3/4	1
32	21112	HEX.NUT, 5/16-18 UNC	2
33	56069	COCKING HANDLE ASS'Y (AUTO DROPS)	1
34	57140	COCKING LEVER ASS'Y (AUTO DROPS)	1
35	21210	HEX.NUT, 3/8-16 NC (AUTO DROPS)	1
36	20320	HEX.BOLT, 3/8-16 NC X 3/4 (AUTO DROPS)	1
37	625020	COCKING CYLINDER, 3/4 (AUTO DROPS)	1
38	20007	HEX.HD.BOLT, 1/4-20 NC X 5/8 (AUTO DROPS)	6
39	22805	BEARING	1
40	57194	CYL.MT.BRACKET (AUTO DROPS)	1
41	21012	NUT, JAM, 1/4-20 UNC	2
42	20002	SOCKET HD. BOLT, 1/4-20 NC X 1 1/4	6
43	55849	DROP BLOCK	1
44	20235	HEX.HD.BOLT, 5/16-18 NC X 1 3/4	2
45	21755	WASHER, STAR 5/16ID	2
46	20020	HEX.HEAD BOLT, 1/4-20 NC X 1 1/4-GR 5	3
47	30785	TENSION SPRING (HYLO TABLES ONLY)	1
48	22017	FLAT HD. SCREW, 1/4-20UNC X 3/4	2
49	20024	BOLT, SOCKET HEAD, 1/4 - 20 UNC X 1 1/4	1
50	57103	BLOCK	1
51	21620	FLAT WASHER 1/4ID X 9/16OD	2
52	50720	SPACER	1
53	21810	FLAT WASHER 3/8ID X 13/16OD	1
54	24160	LOCK KNOB	1
55	55932	LOCK ROD	1
56	21981	PLASTIC FLAT HD. SCREW, #8-32 NC X 1/2	1
57	21420	HEX.NUT, #8-32NC	1
58	22657	ROLL PIN 1/8 X 3/8	1
59	56060	STABILIZER BRACE ASS'Y	1
60	57144	FRONT ROCKER FRAME ASS'Y	1
61	20197	SOCKET HD. SHOULDER BOLT, 5/16-18 UNC	4

DROP CHEST & LUMBAR CUSHION



Note: Item #40 is used only on table's with Breakaway Chest.

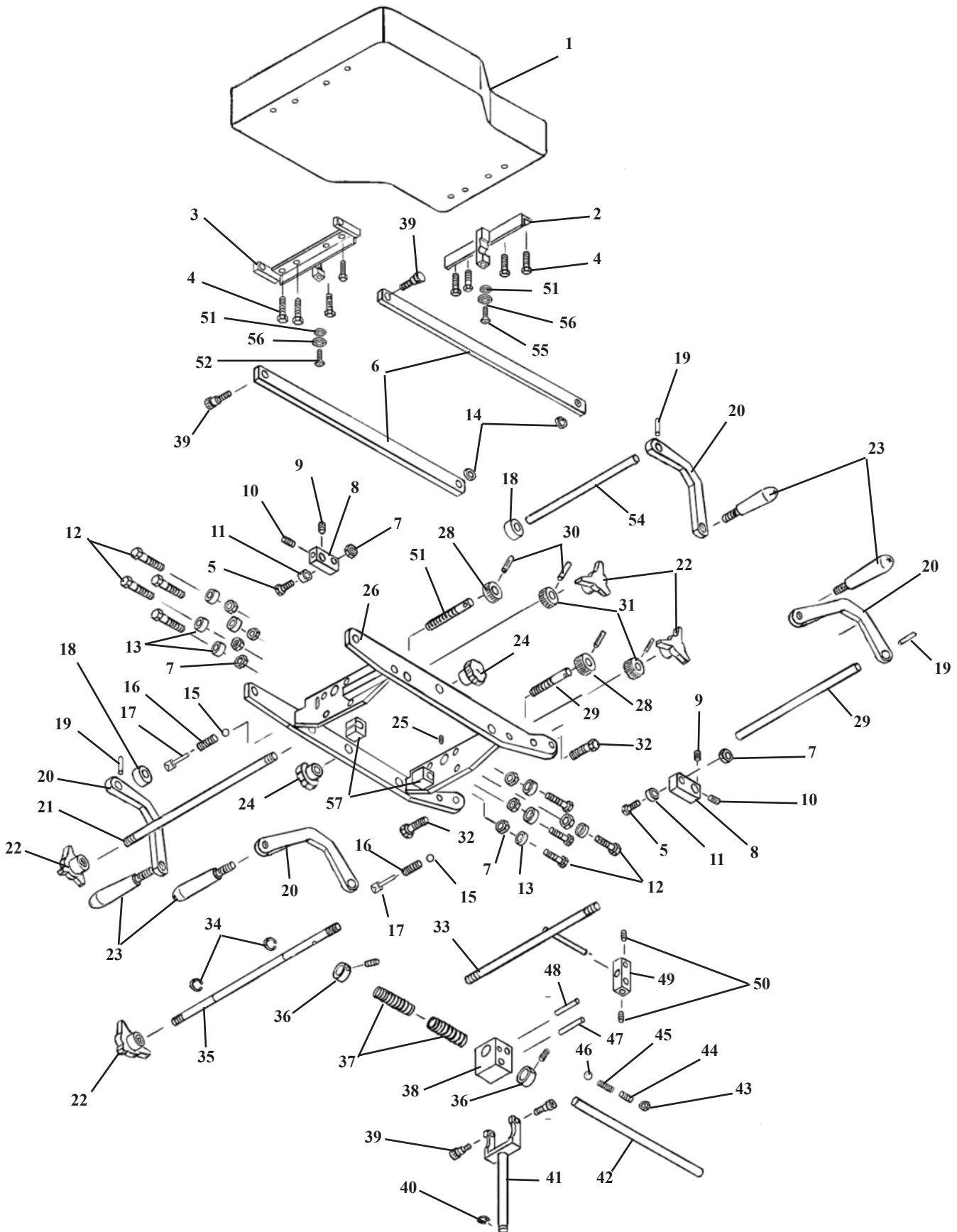
Note: For Detail Parts on Breakaway Chest refer to Deluxe Chest Cushion (pages 22 & 23)



DROP CHEST and LUMBAR ASSEMBLY

ITEM	PART NO.	DESCRIPTION	QTY.
1	57309	CHEST & LUMBAR FRAME ASSEMBLY	1
2	40510	CUSHION, DROP CHEST	1
3	40530	CUSHION, DROP LUMBAR	1
4	57330	MOUNTING PLATE ASS'Y	2
5	57416	COCKING HANDLE BAR (RH)	2
6	57436	COCKING HANDLE BAR (LH)	2
7	30420	DROP BLOCK, ALUMINUM (LH)	2
8	30426	SHAFT, STEEL	2
9	22710	STEEL BALL, 1/2 "	2
10	22700	STEEL BALL, 3/8 "	2
11	30830	COMPRESSION SPRING, 1/4 ID X 1/2 OD X 2	2
12	20250	BOLT, HEX HEAD, 5/16 - 18 UNC X 2	3
13	21755	WASHER, STAR, 5/16 ID X 0.60 OD	6
14	21860	WASHER, FLAT, 7/16 ID X 1 OD	2
15	20321	BOLT, HEX HEAD, 3/8 - 24 UNF X 3/4	4
16	22160	SET SCREW, 1/4 - 28 UNF X 1/4	4
17	21915	WASHER, FLAT, PLASTIC, 9/16 ID X 11/16 OD X 1/16	4
18	22670	ROLL PIN, 1/8 X 3/4	8
19	24012	HANDLE, 3/8 - 16 UNC X 1/2 STUD	4
20	24180	KNOB, TENSION	4
21	52530	ROD, TENSION ADJUSTMENT, 3/8 RD X 12 7/8	1
22	52510	ROD, TENSION ADJUSTMENT, 3/8 RD X 17 3/4	1
23	52350	ROD, COCKING, 1/2 RD X 9 1/4	2
24	24150	KNOB, LOCK	2
25	57440	STUD, 3/8 RD X 2 11/16	2
26	30312	GEAR, PLASTIC, 3/8 ID X 1 1/8 OD X 36 TH	2
27	30310	GEAR, PLASTIC, 3/8 ID X 1 1/2 OD X 5/8	2
28	24290	E-RING, SNAP, 3/8	4
29	21010	NUT, HEX, 1/4 - 20 UNC	4
30	22120	SET SCREW, 1/4 - 20 UNC X 1/2	4
31	22030	SCREW, MACH, FLAT HEAD, 1/4 - 20 UNC X 1	8
32	40730	CUSHION PAD	2
33	50720	BUSHING, 3/8 ID X 1/2 OD X 1/2	2
34	22845	BUSHING, BALL BEARING, 3/4 ID X 1 5/8	2
35	21820	WASHER, LOCK, 3/8 ID	2
36	22685	ROLL PIN, 3/16 X 1	2
37	20320	BOLT, HEX HEAD, 3/8 - 16 UNC X 3/4	4
38	22810	BEARING, 3/8 ID X 13/16 OD	4
39	37928	SPACER, 3/8 ID X 1/2 OD X 3/16	4
40	57342	REINFORCEMENT PLATE, 5/16 X 2 X 4	1
41	20253	BOLT, HEX HEAD, 5/16 - 18 UNC X 2 1/4	3
42	20332	BOLT, HEX HEAD, 3/8 - 16 NC X 1	2
43	57450	EYE-ROD ASS'Y, 9/16 RD X 6 9/16	1
44	54082	BLOCK, DROP CHEST, 3/4 X 1 X 3 5/8	1
45	56203	BRACKET, SUPPORT YOKE, DROP CHEST	1
46	51230	ROD, ADJUSTMENT, DROP BLOCK, 1/2 X 11 1/4	1
47	30870	SPRING, TORSION COIL, 19 GA	1
48	24020	HANDLE, BLACK	2
49	22050	SCREW, MACHINE, RD HEAD, 1/4 - 20 NC X 2 1/2	2
50	20332	BOLT, HEX HEAD, 3/8 - 16 NC X 1	2
51	24286	SNAP RING, 9/16"	1
52	22660	ROLL PIN, 1/8 X 5/8	1
53	51920	PIN, EYE-ROD, CHEST - LUMBAR, 1/2 RD X 2 3/8	1
54	57319	BRACKET ASS'Y, ATTACHMENT, CHEST - LUMBAR	1
55	20258	BOLT, HEX HEAD, 5/16 - 18 NC X 2 1/2	3
56	22640	COTTER PIN, 3/32 X 1	2

DROP CHEST ASS'Y FULL CUSHION

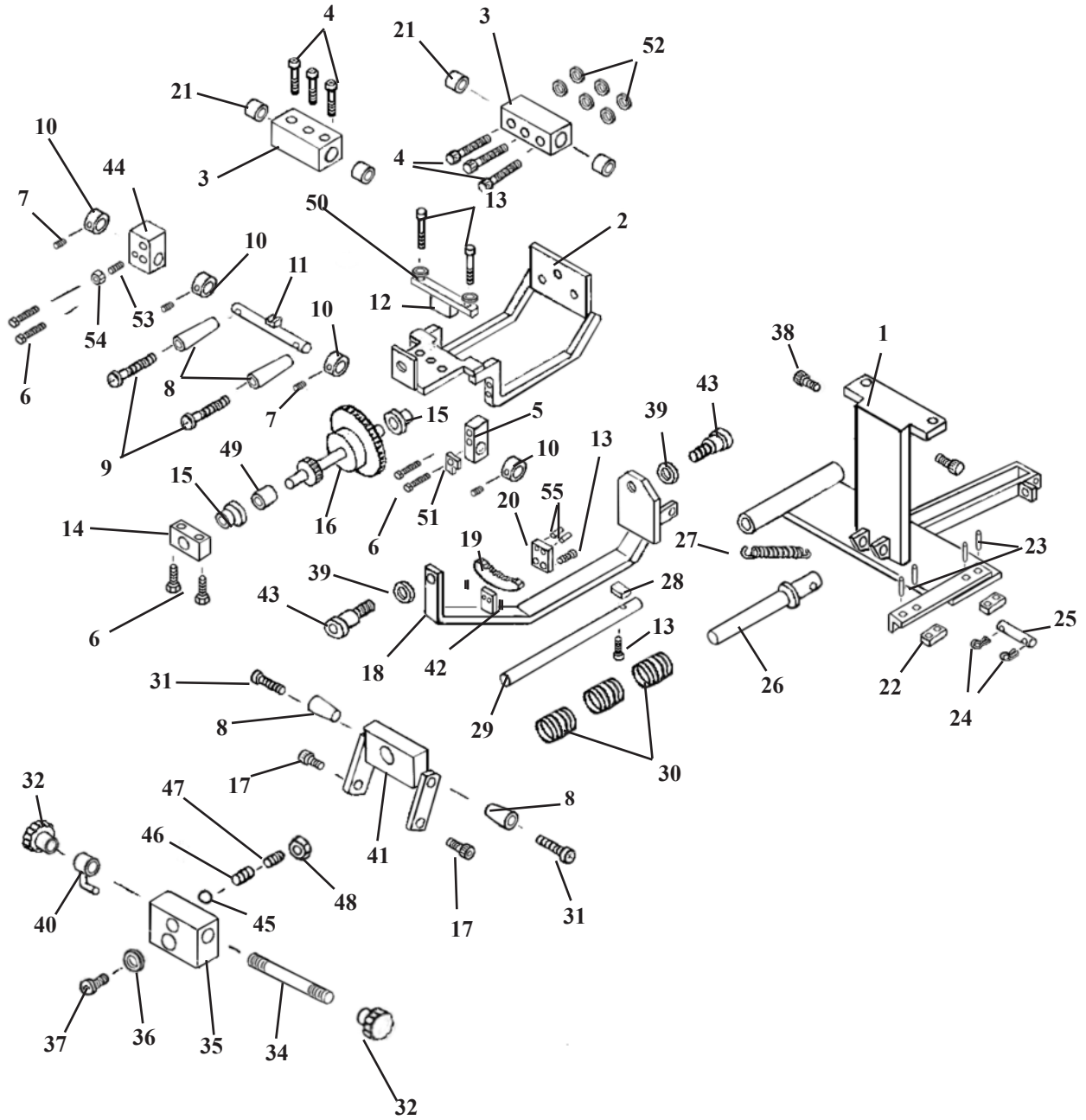


DROP CHEST ASS'Y

FULL CUSHION

ITEM	PART NO.	DESCRIPTION	QTY.
1	40235	CHEST CUSHION ASS'Y	1
2	57433	FRONT TEE WEDGE ASS'Y	1
3	57429	REAR TEE WEDGE ASS'Y	1
4	20022	HEX HD BOLT, 1/4-20UNC X 1.00	8
5	20350	HEX HD BOLT, 3/8-16UNC X 1 1/4	2
6	57435	SIDE RAIL	2
7	21210	HEX NUT, 3/8 -16UNC	9
8	52730	COCKING BAR	2
9	22260	SET SCREW, 5/16-24UNF X 1/4	1
10	22250	SET SCREW, 5/16-24UNF X 1/2	1
11	22810	ROLLER BEARING	1
12	20330	HEX HD BOLT, 3/8-16UNC X 7/8	8
13	22812	ROLLER BEARING	8
14	21850	PLASTIC WASHER, 3/8 ID	2
15	22700	TENSION BALL 3/8 DIA.	1
16	30830	TENSION SPRING	1
17	22710	TENISON BALL 1/2	1
18	54088	SET COLLAR 1/2 ID X 1.00 OD	2
19	22670	ROLL PIN, 1/8 X 3/4	4
20	57449	COCKING HANDLE	2
21	57447	TENSION ROD	1
22	24180	CONTROL KNOB	4
23	24012	COCKING HANDLE	4
24	24150	CONTROL KNOB	2
25	22092	SET SCREW, 10-24UNC X 3/8	1
26	57424	DROP CHEST FRAME ASS'Y	1
27	57445	TENSION SCREW, 3/8 RD X 3.10	2
28	30311	TENSION GEAR 3/8ID X 15/16 OD	2
29	52350	COCKING ROD	2
30	22673	ROLL PIN 1/8 X 1	4
31	30312	TENSION GEAR 3/8ID X 1 1/8OD	2
32	20222	HEX HD BOLT, 3/8-16UNC X 1 1/4	2
33	57438	SLIDE ROD	1
34	24290	E-CLIP, 3/8	2
35	57448	TENSION ROD	1
36	22940	COLLAR, 5/8ID X 23/32OD	2
37	30793	COMPRESSION SPRING	2
38	51090	CENTER BLOCK	1
39	20197	SOCKET HD SHLD BOLT, 5/16-18UNC X 3/8	4
40	24286	E-CLIP, 1/2"	1
41	56190	FORK ASS'Y	1
42	57446	CENTER GUIDE ROD	1
43	21012	HEX NUT 1/4-20UNC	1
44	22120	SET SCREW, 1/4-20UNC X 1/2	1
45	30715	COMPRESSION SPRING	1
46	22702	BEARING BALL 3/16	1
47	57345	SLIDE PIN, 5/16 RD X 3	1
48	57344	GUIDE PIN, 1/4 RD X 2 1/8	1
49	57343	LINKAGE BLOCK	1
50	22160	SET SCREW, 1/4-28UNF X 1/4	2
51	21710	FLAT WASHER, 5/16ID X .688 OD	2
52	22012	TRUSS HD. BOLT, 1/4-20UNC X 1/2	2
53	57454	TENSION SCREW, 3/8 RD X 2 1/2	1
54	57444	COCKING ROD, 1/2 RD X 13	1
55	54089	HEX. HD. BOLT. 1/4-20UNC X 1/2	1
56	21810	FLAT WASHER, 3/8 ID X .812 OD	2
57	57423	PLASTIC GUIDE	2

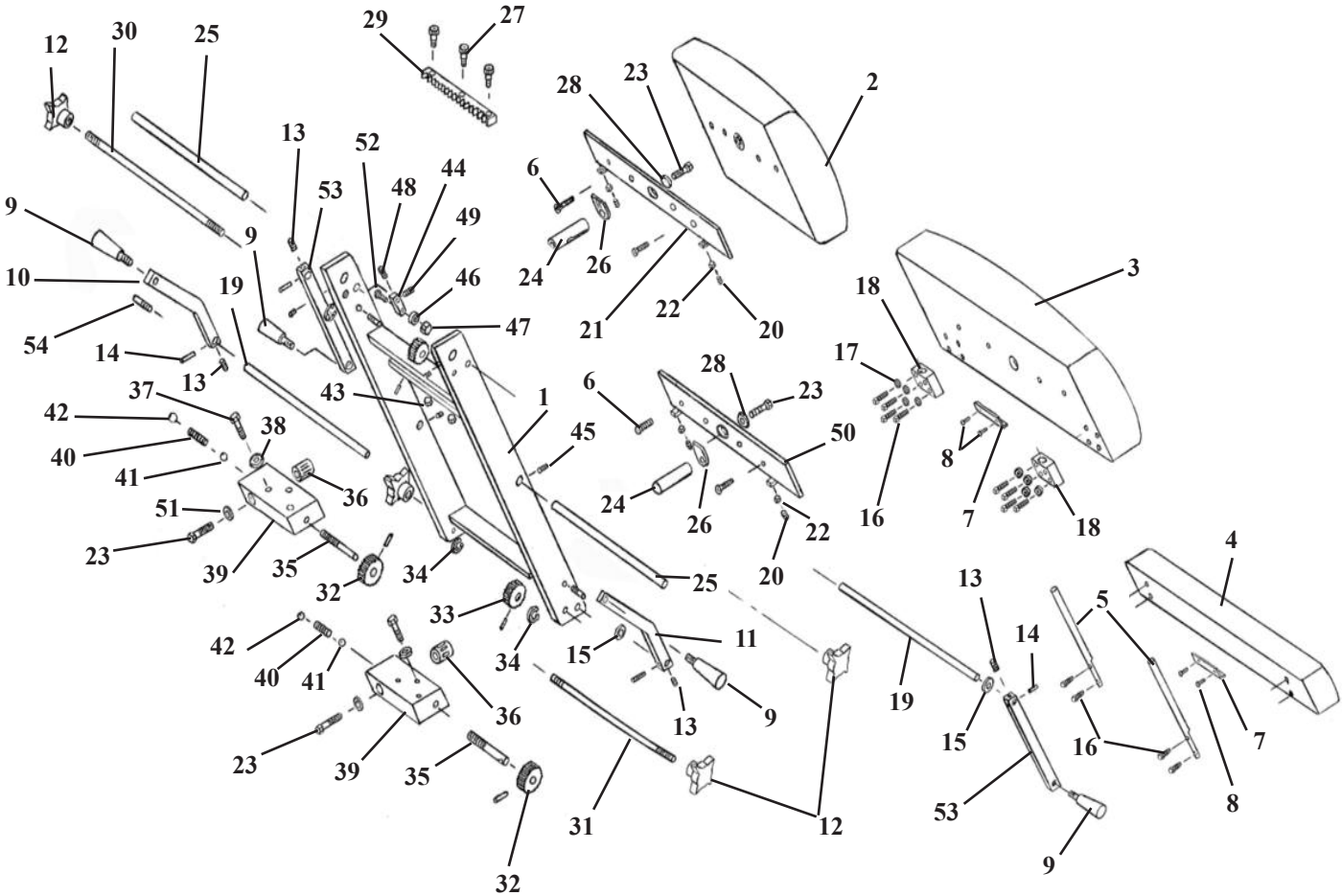
ROTATION CHEST FRAME ASSEMBLY



ROTATION CHEST FRAME ASSEMBLY

ITEM	PART NO.	DESCRIPTION	QTY.
1	55997	I-FRAME ASS'Y,	1
2	57303	GEAR TRAIN FRAME ASS'Y	1
3	57401	BLOCK, GUIDE, 1 ¼ X 1 ½ X 2 ¾	2
4	20024	BOLT, SOCKET HEAD, ¼ - 20 NC X 1 ¼	6
5	57394	BLOCK, LOCKING ROD, 7/16 X 5/8 X 1 7/16	1
6	20023	BOLT, HEX HEAD, ¼ - 20 NC X 1 ¼	4
7	22110	SET SCREW, ¼ - 20 NC X ¼	4
8	24022	HANDLE	4
9	22033	SCREW, MACH, RD HEAD, ¼ - 20 NC X 1 ½	2
10	22912	COLLAR, SET, 3/8 ID	4
11	57333	LOCK ROD ASS'Y, SWIVEL CHEST	1
12	57338	TEE BRACKET ASS'Y,	1
13	20112	BOLT, HEX HEAD, ¼ - 28 NF X 5/8	4
14	57395	BLOCK, 7/16 X 5/8 X 1 ¾	1
15	22885	BUSHING, 3/8 ID x ½ OD x 15/32	2
16	57329	GEAR TRAIN ASS'Y	1
17	20197	BOLT, SOCKET HEAD, 5/16 - 18 NC, SHOU 3/8 X 3/8	2
18	57306	YOKE SUPPORT FRAME ASS'Y	1
19	57396	GEAR RACK, 5/16 X 7/16 X 14 TEETH	1
20	57337	GEAR BRACKET ASS'Y, 3/16 X 1 X 1	1
21	22893	BUSHING, GUIDE, 5/8 ID X 1 1/8 SUPER 10	4
22	55944	SHIM, PLASTIC	2
23	22657	ROLL PIN, 1/8 RD X 3/8	4
24	22640	COTTER PIN, 3/32 X 1	2
25	58449	PIN, SUPPORT, 3/8 RD X 1 11/16	1
26	55535	GUIDE ROD ASS'Y	1
27	30759	SPRING, TENSION, 3/8 ID X 7/16 OD X 2 13/16	1
28	57386	SPACER ADJUSTMENT, ¼ X ¾ X 7/16	1
29	57387	GUIDE ROD, 7/16 DIA X 5 15/16	1
30	30846	COMPRESSION SPRING, ¾ ID X 1 7/32 OD	3
31	22035	SCREW, MACH, ROUND HEAD, ¼ - 20 NC X 1 ¾	2
32	24150	KNOB, LOCK	2
33	22090	SET SCREW, #10 - 32 NF X 3/16	1
34	57302	SCREW, ADJUSTMENT, 5/16 RD X 3 ½	1
35	51090	YOKE BLOCK, 1 X 1 ½ X 1 11/16	1
36	21860	WASHER, FLAT, 7/16 ID X 1 OD	1
37	22012	SCREW, MACH, TRUSS HEAD, ¼ - 20 NC X ½	1
38	20205	BOLT, SOCKET HEAD, 5/16 - 18 NC, SHOU 3/8 X 1	2
39	21850	WASHER, FLAT, PLASTIC, 3/8 ID X 1	2
40	50570	LOCK PIN ASS'Y	1
41	57307	BREAKAWAY LOCK BRACKET ASS'Y	1
42	22162	SET SCREW, ¼ - 28 NF X 5/8	2
43	20199	BOLT, SOCKET HEAD, 5/16 - 18 NC, SHOU 3/8 X ½	2
44	57383	LOCK BLOCK, ¾ X ¾ X 1 7/16	1
45	22702	BALL, STEEL, 3/16	1
46	30715	SPRING, COMPRESSION, 3/16 ID X 0.140 X 3/8	1
47	22120	SET SCREW, ¼ - 20 NC X ½	1
48	21012	NUT, JAM, ¼ - 20 NC	2
49	57397	BUSHING, GEAR TRAIN, 3/8 ID X ½ OD X 3/8	1
50	21630	WASHER, STAR, ¼ ID X ½ OD	2
51	57415	STOP PLATE, 1/8 X ½ X ¾	1
52	21620	WASHER, FLAT, ¼ ID X 9/16 OD	6
53	22232	SET SCREW, 5/16 - 18 NC X ½	1
54	21110	NUT, JAM, 5/16 - 18 NC	1
55	22660	ROLL PIN, 1/8 X 5/8	2

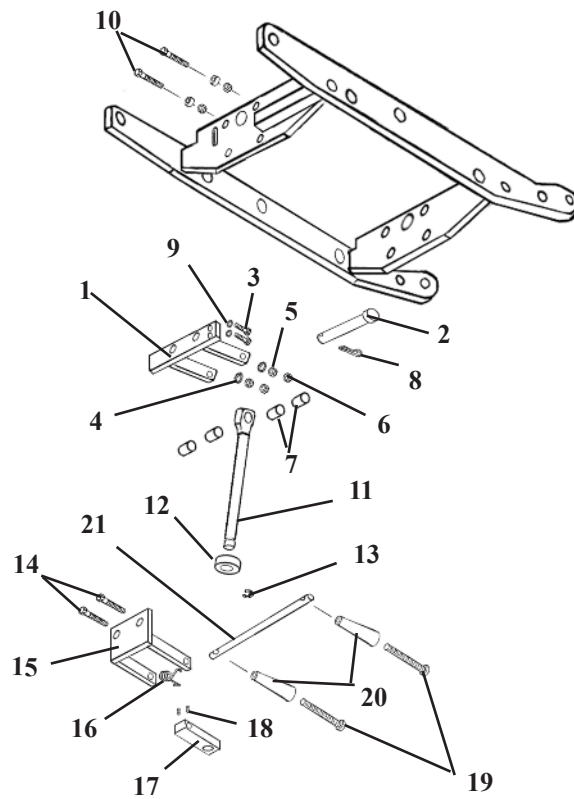
ROTATION CHEST CUSHION ASSEMBLY DROP DORSAL & LUMBAR



ROTATION CHEST CUSHION ASSEMBLY DROP DORSAL & LUMBAR

ITEM	PART NO.	DESCRIPTION	QTY.
1	57308	FRAME ASS'Y, ROTATION CHEST	1
2	40510	CUSHION, DORSAL	1
3	40530	CUSHION, LUMBAR	1
4	40230	CUSHION, EXTENSION	1
5	57384	TONGUE, EXTENSION, 9/16 RD X 9 3/8	2
6	22030	SCREW, MACH, FLAT HEAD, 1/4 - 20 NC X 1	8
7	56202	GUARD, CUSHION	2
8	22460	SCREW, SHEET METAL, PAN HD, #10 X 1/2	4
9	24015	HANDLE, GRIP	4
10	57416	HANDLE, COCKING (RH)	1
11	57436	HANDLE, COCKING (LH)	1
12	24180	KNOB, TENSION	4
13	22160	SET SCREW, 1/4 - 28 NF X 1/4	4
14	22670	ROLL PIN, 1/8 X 3/4	8
15	21915	WASHER, FLAT, PLASTIC, 9/16 ID X 11/16 OD	4
16	20023	BOLT, HEX HEAD, 1/4 - 20 NC X 1 1/4	12
17	21630	WASHER, STAR, 1/4 ID X 1/2 OD	8
18	57385	BRACKET, LEAF	2
19	57399	ROD, SUPPORT, COCKING HANDLE, ROT CHEST	2
20	22120	SET SCREW, 1/4 - 20 NC X 1/2	1
21	57330	MOUNTING PLATE ASS'Y	1
22	21010	NUT, HEX, 1/4 - 20 NC	6
23	20321	BOLT, HEX HEAD, 3/8 - 24 NF X 3/4	4
24	30426	STEEL SHAFT, 3/4 Dia	2
25	57391	ROD, SLIDE, SWIVEL CHEST, 5/8 RD X 11 3/4	2
26	40730	PAD, CUSHION	2
27	22004	SCREW, MACH, SOCKET HEAD, #10 - 24 NC X 1	3
28	21820	WASHER, STAR, 3/8 X 11/16	2
29	57390	RACK, GEAR, 1/2 X 1/2 X 8 3/16	1
30	57392	ROD, TENSION, SWIVEL CHEST, 3/8 RD X 13 9/16	1
31	57393	ROD, TENSION, SWIVEL CHEST, 3/8 RD X 18	1
32	30312	GEAR, PLASTIC, 3/8 ID X 1 1/8 OD	2
33	30310	GEAR, PLASTIC, 3/8 ID X 1 1/2 OD	2
34	24290	E-CLIP	4
35	57440	STUD, CHEST-LUMBAR, 3/8 RD X 2 11/16	2
36	22845	BEARING, BALL, BUSHING, 3/4 ID X 1 5/8	2
37	20253	BOLT, HEX HEAD, 5/16 - 18 NC X 2 1/4	6
38	21755	WASHER, STAR, 5/16 ID X 0.60 OD	6
39	30420	BLOCK, DROP, ALUMINUM (LH)	2
40	30830	SPRING, COMPRESSION, 1/4 ID X 1/2 OD X 2	2
41	22700	BALL, STEEL, 3/8 ID	2
42	22710	BALL, STEEL, 1/2 DIA	2
43	21450	NUT, HEX, #10 - 24 NC	3
44	52731	ARM, COCKING, 9/16 X 3/4 X 2 5/8	2
45	22090	SET SCREW, #10 - 32 NF X 3/16	4
46	22810	BEARING, BALL, 3/8 ID	2
47	21210	NUT, HEX, 3/8 - 16 NC	2
48	22260	SET SCREW, 5/16 - 24 NF X 1/4	2
49	22250	SET SCREW, 5/16 - 24 NF X 1/2	2
50	57332	PLATE, MOUNTING, CUSHION, SWIVEL CHEST	2
51	21860	WASHER, FLAT, 7/16 ID X 1 OD	2
52	20332	BOLT, HEX HEAD, 3/8 - 16 NC X 1	2
53	57315	ARM, COCKING, SWIVEL CHEST, 7/16 X 3/4 X 5 1/2	2

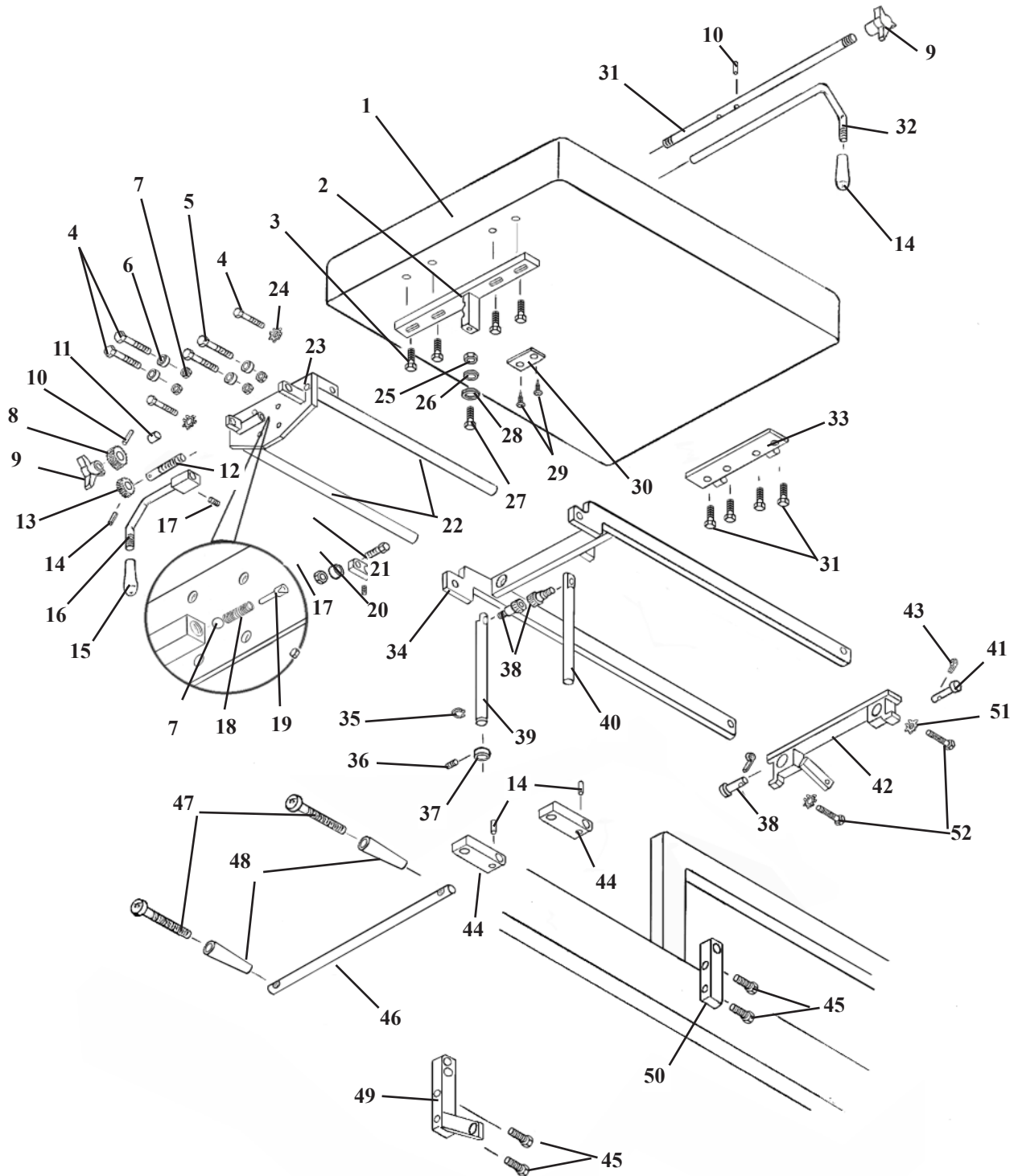
Height Adjustment Assembly NonBreakaway Chest Assembly



Height Adjustment Assembly NonBreakaway Chest Assembly

ITEM	PART NO.	DESCRIPTION	QTY.
1	57458	SUPPORT BRACKET ASS'Y	1
2	22679	CLEVIS PIN, ½ RD. X 3 ½	1
3	20022	HEX. HD. BOLT, ¼-20UNC X 1	2
4	21820	STAR WASHER, 3/8 X 11/16 OD	2
5	21210	HEX. NUT, 3/8-16 UNC	2
6	21211	JAM NUT, 3/8-16 UNC	2
7	52150	SPACER	4
8	22640	COTTER PIN, 3/32 X 1	1
9	21630	STAR WASHER, ¼ ID X ½ OD	2
10	20366	HEX. BOLT, 3/8 – 16 UNC X 2	2
11	57450	EYE ROD ASS'Y	1
12	22935	SET COLLAR, 9/16 ID X ¾ OD	1
13	22110	C-CLIP 9/16 ID	1
14	20332	HEX. HD. BOLT, 3/8-16 UNC X 1	2
15	56203	I-FRAME BRACKET ASS'Y	1
16	30870	TROSION SPRING	1
17	54082	ADJUSTMENT BLOCK	1
18	22110	SET SCREW, ¼-20 UNC	2
19	22050	RD. HEAD SCREW, ¼-20 UNC X 2 ½	2
20	24020	ADJUSTMENT HANDLE	2
21	51230	ADJUSTMENT ROD, ½ RD. X 11 ¼	1

T-WEDGE DROP PELVIC ASS'Y P-FRAME (619003)

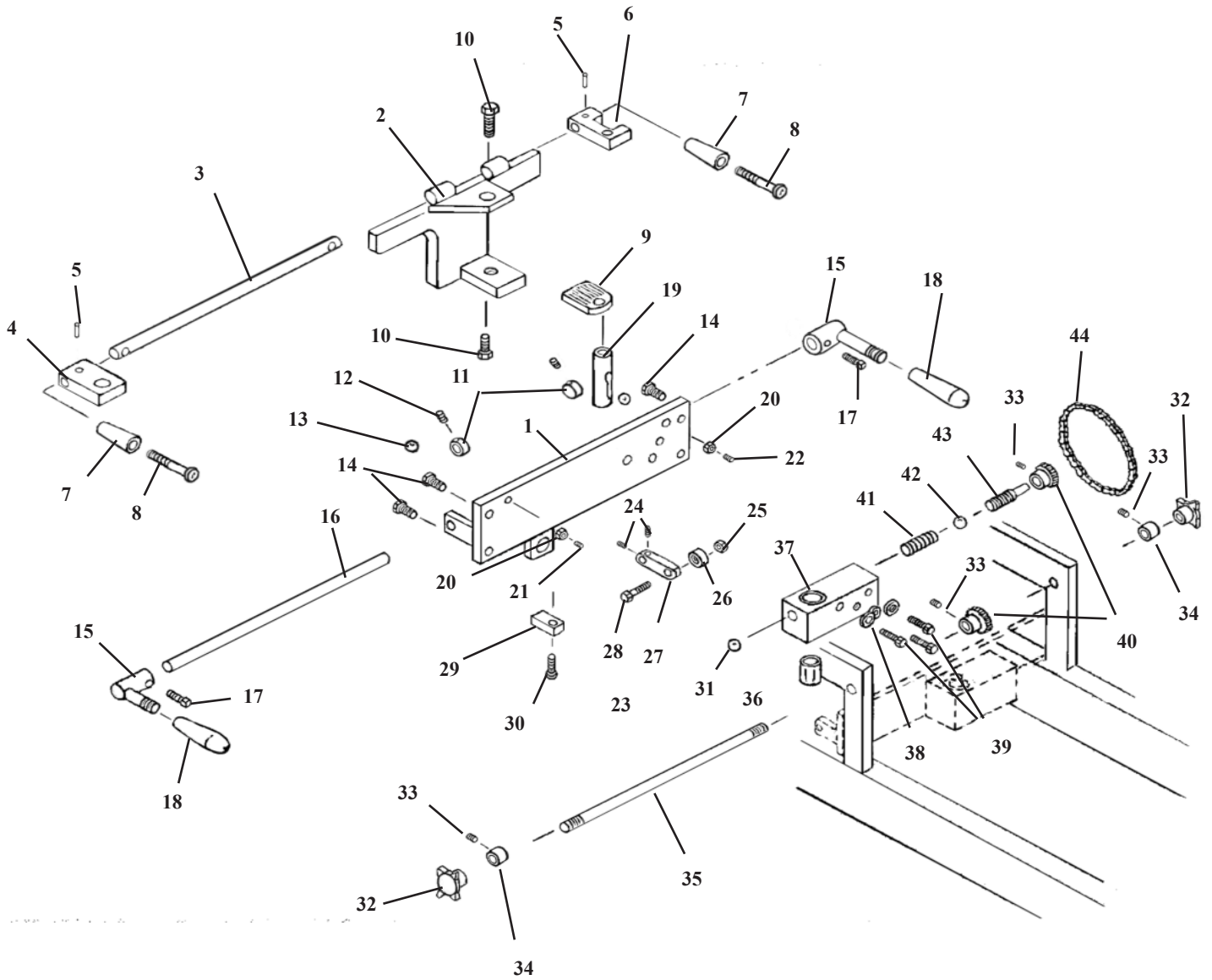


T-WEDGE DROP PELVIC ASS'Y

P-FRAME

ITEM	PART NO.	DESCRIPTION	QTY.
1	40308	PELVIC CUSHION	1
2	56158	TEE WEDGE ASS'Y	1
3	20023	HEX HD BOLT, ¼-20UNC X 1 ¼	8
4	20332	HEX HD BOLT, 3/8-16UNC X 1.00	5
5	20360	HEX HD BOLT, 3/8-16UNC X 1 ½	1
6	22812	BALL BEARING, 3/8ID	4
7	21210	HEX NUT, 3/8-16UNC	5
8	30312	TENSION GEAR	1
9	24180	ADJUSTMENT KNOB	2
10	22670	ROLL PIN, 1/8 X ¾	1
11	37928	SPACER, 3/8ID X 1/2OD X 3/16	1
12	56332	TENSION STUD	1
13	30311	TENSION GEAR	1
14	22660	ROLL PIN, 1/8 X 5/8	1
15	24010	HANDLE GRIP	2
16	56565	COCKING HANDLE (RH)	1
17	22250	SET SCREW, 5/16-24UNF X ½	2
18	22810	BALL BEARING, 3/8ID	1
19	56359	COCKING ARM	1
20	22260	SET SCREW, 5/16-24UNF X ¼	1
21	20350	HEX HD BOLT, 3/8-16UNC X 1 ¼	1
22	56365	GUIDE RODS	2
23	56361	BEARING PLATE ASS'Y	1
24	21820	STAR WASHER, 3/8ID	2
25	21012	JAM NUT, ¼-20UNC	1
26	21610	FLAT WASHER, 1/4ID X ½OD	1
27	20007	HEX HD BOLT, ¼-20UNC X 5/8	1
28	21710	FLAT WASHER, 5/16ID X .688OD	1
29	22469	FLAT HD WOOD SCREW, #10 X 7/8	2
30	56493	STRIKER PLATE	1
31	56333	TENSION ROD, 3/8RD X 20 ½	1
32	56378	COCKING HANDLE	1
33	56375	REAR HINGE	1
34	56338	SLIDE FRAME ASS'Y	1
35	24286	SNAP RING 9/16"	1
36	22110	SET SCREW, ¼-20UNC X ¼	1
37	22935	SET COLLAR, 9/16	1
38	20204	SOCKET HD SHLD. BOLT, 5/16-18UNC X ½	2
39	57741	EYE-ROD (CLIP)	1
40	57742	EYE-ROD	1
41	22690	CLEVIS PIN, 3/8RD X ¾	2
42	56339	REAR GUIDE BRACKET ASS'Y	1
43	22639	COTTER PIN, 3/32 X 1/2	2
44	51390	ADJUSTMENT BLOCK	2
45	20123	HEX HD BOLT, ¼-28UNF X 1 ¼	8
46	51430	ADJUSTMENT ROD, ½ X 13 3/16	1
47	22050	RD HD MACHINE SCREW, ¼-20UNC X 2 ½	2
48	24020	HANDLE GRIP	2
49	57617	SUPPORT BAR (RH)	1
50	57639	SUPPORT BAR (LH)	1
51	21630	STAR WASHER, 1/4ID	2
52	20022	HEX. HD BOLT, 1/4-20UNC X 1	2

DROP PELVIC ASS'Y GALAXY HYLO P-FRAME

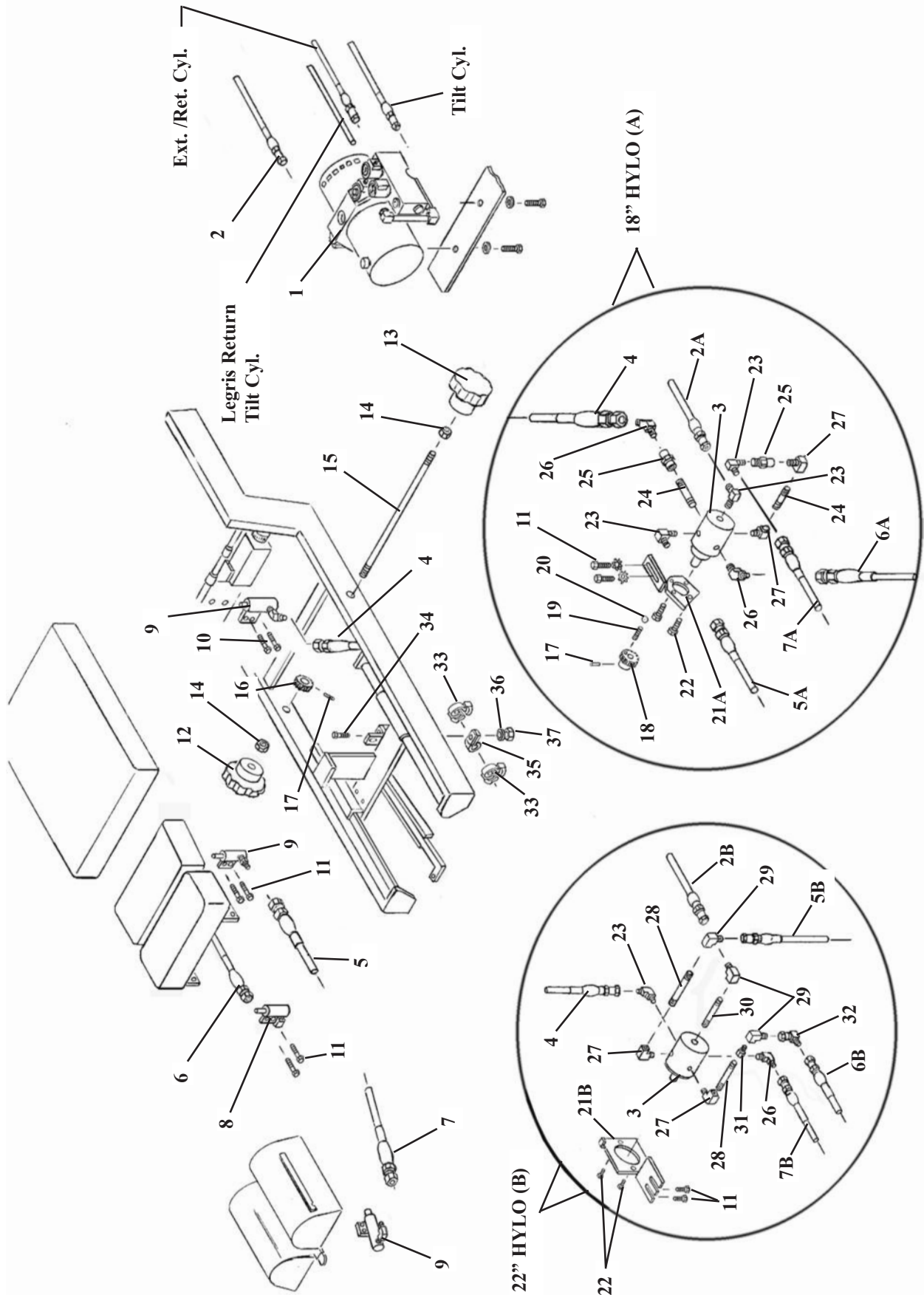


DROP PELVIC ASS'Y GALAXY HYLO P-FRAME

ITEM	PART NO.	DESCRIPTION	QTY.
1	57611	PELVIC INSIDE FRAME, (P-FRAME)	1
2	57669	OUTSIDE FRAME ASS'Y	1
3	51430	ADJUSMENT ROD 1/2RD X 13 1/8	1
4	51390	ADJUSMENT BLOCK (RH)	1
5	22670	ROLL PIN 1/8 X 1/8 X 3/4	2
6	52770	ADJUSTMENT BLOCK (LH)	1
7	24020	HANDLE	2
8	22050	MACHINE RD. HD. SCREW, 1/4-20NC 2 1/2	2
9	40730	DAMPER CUSHION	1
10	20321	HEX HD BOLT, 3/8-24UNF X 3/4	2
11	22913	COLLAR, SET, 1/2"	2
12	22110	SET SCREW, 1/4-20NC X 1/4	2
13	22702	STEEL BALL, 3/16	2
14A	20022	HEX HD BOLT, 1/4-20NC X 1 (22" HYLO)	4
14B	20021	SOCKET HD BOLT, 1/4-20NC X 1 (18" HYLO)	4
15	57909	COCKING HANCLE ASS'Y	2
16	55136	COCKING ROD, 1/2 RD X 20	1
17	22240	SQ. HD. SET SCREW, 5/16-18NC X 1	2
18	24010	HANDLE GRIP	2
19	30425	COCKING PISTON	1
20	21450	HEX NUT, #10-24NC	2
21	22095	SET SCREW, #10-24NC X 1/2	1
22	22092	SET SCREW, #10-24NC X 3/8	1
23	22250	SET SCREW, 5/16-24NF X 1/2	1
24	22260	SET SCREW, 5/16-24NF X 1/4	1
25	21210	HEX NUT, 3/8-16NC	1
26	22810	BEARING, 3/8 ID	1
27	52730	COCKING ARM	1
28	20332	HEX. HD BOLT, 3/8-16UNC X 1	1
29	57414	STOP PLATE	1
30	22004	SCREW, MACHINE, SOCKET HD, #10-24NCX	1
31	22710	STEEL BALL, 1/2 RD	1
32	24170	TENSION KNOB	2
33	22090	SET SCREW, #10-32NF X 3/16	4
34	22910	COLLAR, 1/4 ID X 1/2 OD	2
35	52710	TENSION ROD 1/4 X 18 1/2	1
36	22845	BALL BEARING	1
37	30421	DROP BLOCK	1
38	21755	STAR WASHER, 5/16 ID	3
39	20250	HEX HD BOLT, 5/16-28 NC X 2	3
40	52740	SPROCKET # 9	2
41	30830	COMPRESSION SPRING	1
42	22700	STEEL BALL 3/8 DIA	1
43	52690	TENSION WORM SCREW (RH THD), 3/8 - 16 UNC X 1 5/8	1
44	24210	CHAIN #25 (14 LINKS)	1

HYDRAULICS - AUTO DROPS

CERVICAL, DORSAL, LUMBAR & PELVIC



HYDRAULICS - AUTO DROPS

CERVICAL, DORSAL, LUMBAR & PELVIC

ITEM	PART NO.	DESCRIPTION	QTY.
1	623620	PUMP & MOTOR, AUTO DROP	1
2A	45360	HOSE, HYD, 3/16 X 51 (Motor-Selector) (18" HYLO)	1
2B	45350	HOSE, HYD, 3/16 X 45 1/2 (Motor-Selector) (22" HYLO)	1
3	31010	VALVE, SELECTOR	1
4	45212	HOSE, HYD, 3/6 X 9 (Selector-Pelvic)	1
5A	45298	HOSE, HYD, 3/16 X 27 3/4 (Selector-Lumbar) (18" HYLO)	1
5B	45304	HOSE, HYD, 3/16 X 33 1/2 (Selector- Lumbar) (22" HYLO)	1
6A	45295	HOSE, HYD, 3/6 X 26 3/4 (Selector-Dorsal) (18" HYLO)	1
6B	45299	HOSE, HYD, 3/16 X 29 1/2 (Selector- Dorsal) (22" HYLO)	1
7A	45353	HOSE, HYD, 3/16 X 48 1/2 (Selector- Cervical) (18" HYLO)	1
7B	45363	HOSE, HYD, 3/16 X 54 1/2 (Selector-Cervical) (22" HYLO)	1
8	625010	COCKING CYLINDER, 3/4" RD w/ Side port	1
9	625020	COCKING CYLINDER, 3/4" RD w/ Front port	3
10	20007	BOLT, HEX HEAD, 1/4 - 20 X 5/8	4
11	20112	BOLT, HEX HEAD, 1/4 - 28 NF X 5/8	6
12	30000	KNOB, SELECTOR, (RH)	1
13	30001	KNOB, SELECTOR, (LH)	1
14	21210	NUT, HEX, 3/8 - 16 NC	2
15	55134	ROD, ADJUSTMENT, 3/8 RD X 12 7/8	1
16	30310	GEAR, PLASTIC, 3/8 ID X 1 1/2 OD X 5/8, 48 TOOTH	1
17	22670	ROLL PIN, 1/8 X 3/4	2
18	30309	GEAR, PLASTIC, 3/8 ID X 1 1/2 OD X 1, 48 TOOTH	1
19	30721	SPRING, COMPRESSION, 0.175 ID X 23/64 OD X 1 1/8	2
20	22701	STEEL BALL, 1/4"	2
21A	58445	BRACKET ASS'Y, SELECTOR VALVE (18" HYLO)	1
21B	52806	BRACKET ASS'Y, SELECTOR VALVE (22" HYLO)	1
22	20000	BOLT, HEX HEAD, #10 - 32 NF X 1/2	4
23	23110	FITTING, 90 DEG, 1/8 MALE To JIC	1
24	23320	NIPPLE, PIPE, 1/8 X 1 1/2 (18" HYLO)	2
25	23020	COUPLER, FEMALE, 1/8 (18" HYLO)	2
26A	23090	FITTING, 45 DEG, 1/8 To JIC (18" HYLO)	2
28B	23090	FITTING, 45 DEG, 1/8 To JIC (22" HYLO)	1
27	23130	FITTING, 90 DEG, 1/8 MALE To FEMALE	2
28	23326	NIPPLE, PIPE, 1/8 X 2 1/2 (22" HYLO)	2
29	23112	FITTING, 90 DEG, 1/8 FEMALE To JIC (22" HYLO)	3
30	23310	NIPPLE, PIPE, 1/8 CLOSE (22" HYLO)	1
31	23030	COUPLER, MALE, 1/8 (22" HYLO)	1
32	23109	FITTING, 90 DEG, #4 -JIC SWIVEL (22" HYLO)	1
33	22907	CLAMP, HOSE, 0.413 / 0.500	2
34	20022	BOLT, HEX HEAD, 1/4 - 20 NC X 1	1
35	24279	P - CLAMP, 7/16"	1
36	21620	WASHER, FLAT, 1/4 ID	1
37	21010	NUT, HEX, 1/4 -20 NC	1

623580 - GALAXY HYLO AUTO, NEW-BLOCK PUMP, MOTOR & BLOCK ASSEMBLY

# 30495 - PUMP & MOTOR, 115 VOLT, 2002	# 23564 - BLOCK, MNIFOLD
# 23568 - VALVE, POPPET, NC (RELEASE)	# 36012 - COIL, 24V, SINGLE STUD (4 EACH)
# 23571 - VALVE, DOUBLE POPPET (SHORT FIX-ALL) (2 EACH)	# 23518 - VALVE, 4-WAY, 2-POS W/CROSSOVER CTR
# 23130 - FITTING, 90 DEG, 1/8" MALE - FEMALE	# 23132 - FITTING, 90 DEG, 1/8" FEMALE - FEMALE
# 23330 - NIPPLE, PIPE, 1/8" X3" (2 EACH)	# 23044 - COUPLER, MALE, MORB #4 To JIC
# 23129 - FITTING, 90 DEG, 1/8" X 1/4" COMPRESSION	# 23403 - PLUG, #4 CAVITY
# 23155 - FITTING, 90 DEG, MORB # 4 To JIC	# 23407 - PLUG, #8 CAVITY

623690 - SELECTOR VALVE ASSEMBLY - See Schematic

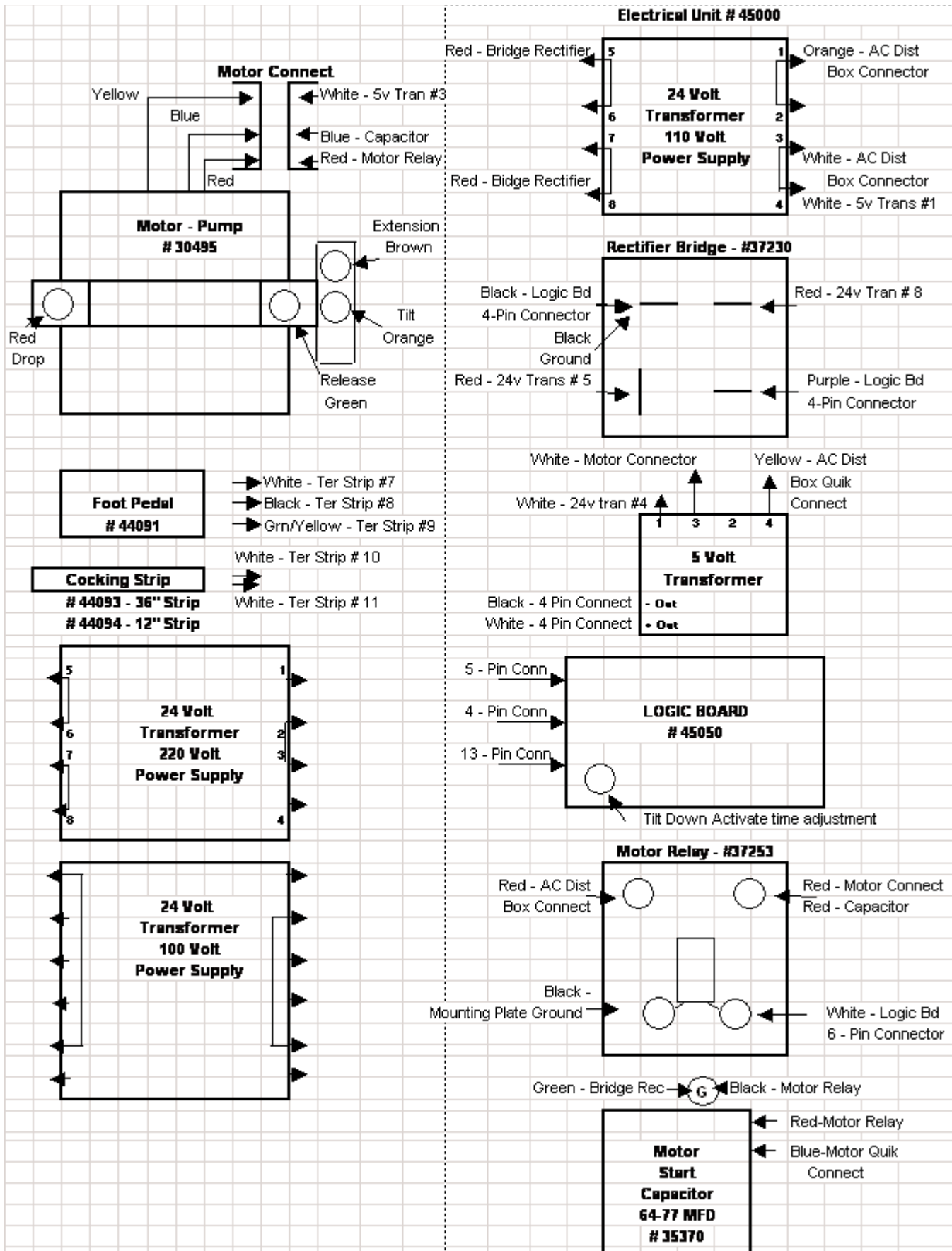
625010 - COCKING CYLINDER, 3/4" RD W/SIDE PORT & FITTINGS

# 30532 - CYLINDER, COCKING, 3/4" RD W/SIDE PORT	# 23110 - FITTING, 90 DEG, 1/8" To JIC (DORSAL)
--	---

625020 - COCKING CYLINDER, 3/4" RD W/FRONT PORT & FITTINGS

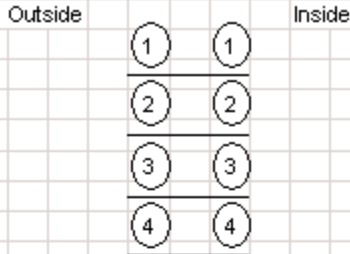
# 30535 - CYLINDER, COCKING, 3/4" RD W/FRONT PORT	# 23110 - FITTING, 90 DEG, 1/8" To JIC (CERVICAL)
	or # 23090 - FITTING, 45 DEG, 1/8" To JIC (PELVIC)
	or # 23040 - COUPLER, MALE, 1/8" To JIC (LUM-

GALAXY HYLO ELECTRICAL

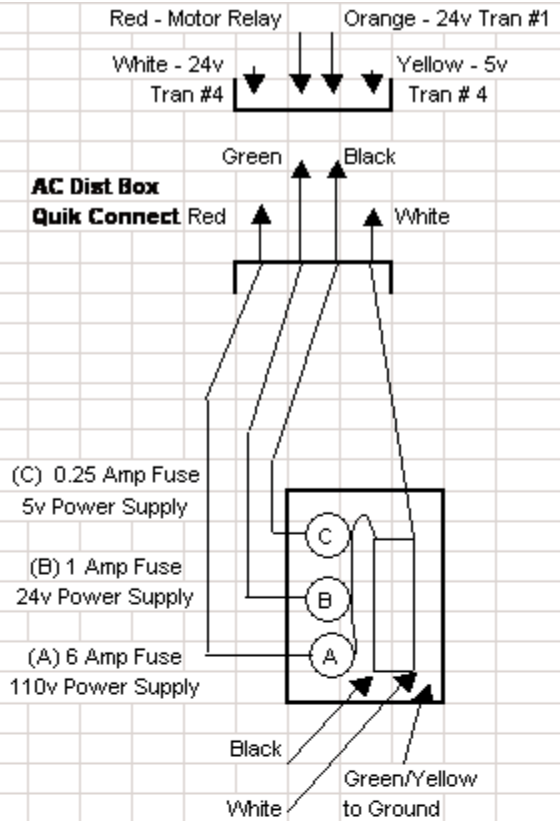


GALAXY HYLO ELECTRICAL

Terminal Strip (# 38345) See Legend Below



Terminal Strip Key	
Outside	Inside
1 White - Foot Pedal	White - 13-Pin Connector
2 White - Tape Strip Black - Foot Pedal	Black - 13-Pin Connector
3 Green/Yellow - Foot Pedal	Green - 13-Pin Connector
4 White - Tape Strip	Red - 13-Pin Connector



13 - Pin Logic Board Connector & Harness

White (Small)	Tilt Down Activate - Grd
Brown (Small)	Tilt Down Activate
Black (Small)	Tilt Limit - Grd
Red (Small)	Tilt Limit
Red	Auto Drop - Terminal Strip
Black (Small)	Extension/Retraction - Grd
Red (Small)	Extension
Green (Small)	Retraction
Black	Foot Pedal - Grd
White	Foot Pedal - Tilt Up
Green	Foot Pedal - Tilt Down
Red (Small)	Manual/Semi-Auto
Black (Small)	Manual/Semi-Auto - Grd

4 - Pin Logic Board Connector & Harness

5 Volt (-)	Black - 5v Trans #4
5 Volt (+)	White - 5v Tran (+) Out
24 Volt (-)	Black - Bridge Rec
24 Voly (+)	Purple - Bridge Rec

The Dark Green wire is ground to the Mounting Plate.

5 - Pin Logic Board Connector & Harness

Motor	White - Motor Relay
Drops	Red - Drop Valves on Block
Ext/Ret	Brown - Ext/Ret Valve on Blk
Release	Green - Release Valve on Mtr Block
Tilt	Orange - Tilt Valve on Mono Block

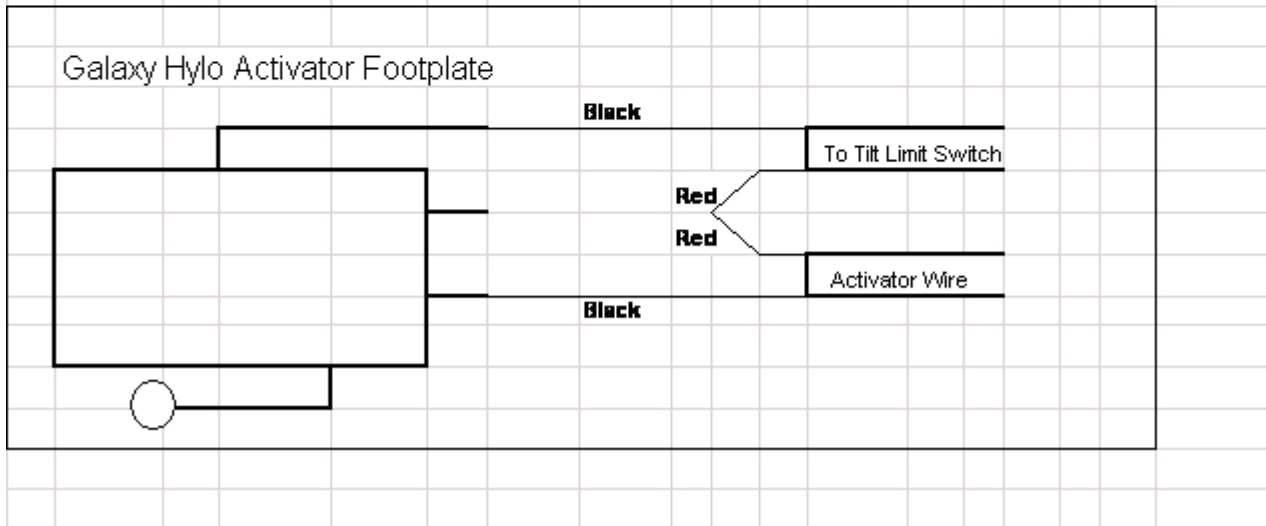
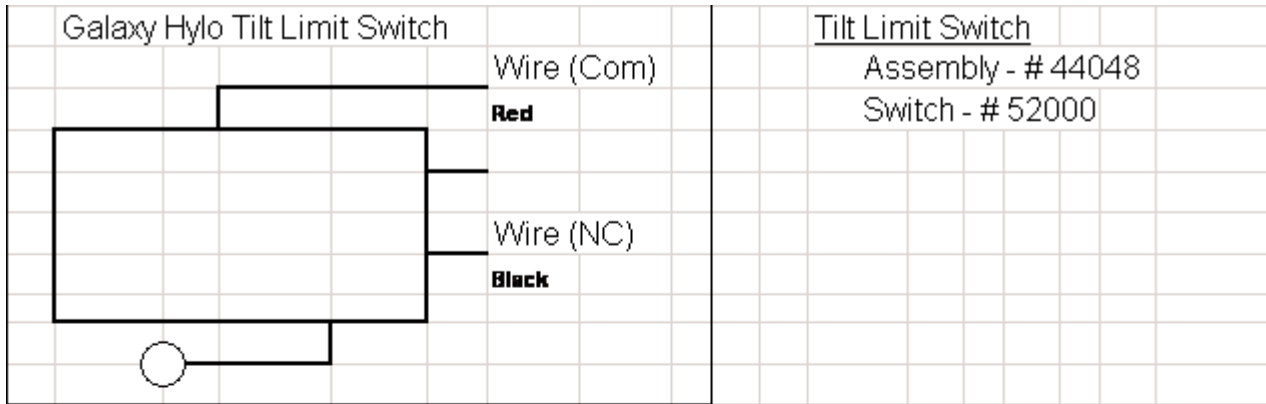
#45105 - Wire Harness Assembly, Galaxy Hylo

This includes the 13-Pin & 5-Pin plugs at the Logic Board, the Manual/Semi-Auto Switch and wires, the wires going to the Terminal Strip, to the Tilt Limit Switch, the Tilt Down Activation Switch and Extension/Retraction connections and to the Valves.

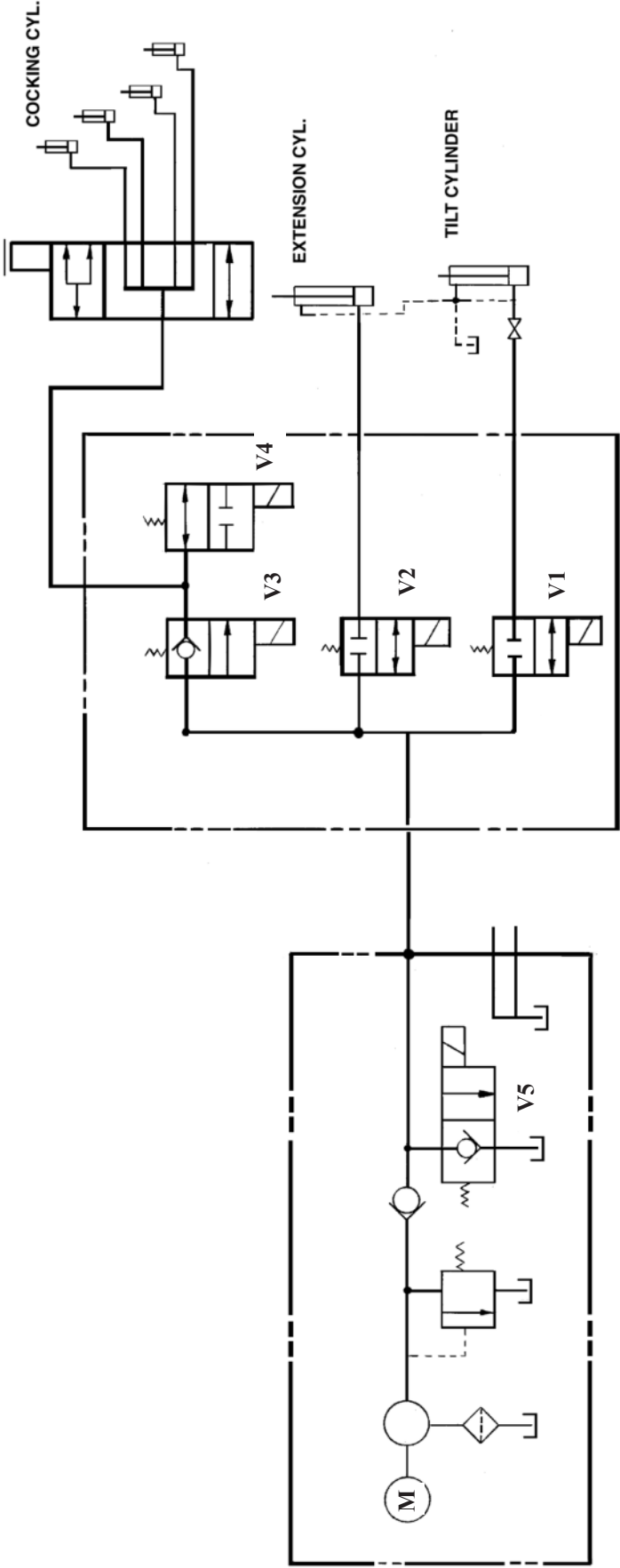
- # 44047 - Switch Assembly, Tilt Down Activate
- # 45166 - Cable Assembly, Extension Switch
- # 45172 - Cable Assembly, Upper Sequence Switch
- # 44048 - Tilt Limit Switch
- # 38310 - Switch Assembly, Manual/Semi-Auto

	Tilt Valve	Release Valve	Drop Valves	Extension Valve	Motor
Tilt Up	X				X
Tilt Down	X	X			
Extend Table				X	X
Retract Table		X		X	
Auto Drops			X		X

TILT LIMIT SWITCHES GALAXY HYLO



HYDRAULIC SCHEMATIC GALAXY HYLO



HYLO DELUXE - V1, V2 & V5
HYLO AUTO - V1, V2, V3, V4 & V5

HARNES SYSTEM LOGIC GALAXY HYLO

