

LLOYD TABLE COMPANY

401 BENCH OPERATION MANUAL HAND & KICK DROP



Lloyd Table Company
102 W. Main Street * Lisbon, IA 52253
Phone 319-455-2110 Fax 319-455-2166
Website www.lloydtable.com
Email sales@lloydtable.com
Call Toll Free 1-800-553-7297

LLOYD
TABLE COMPANY

CONTENTS

<u>OPERATIONS</u>	<u>PAGE</u>	<u>PARTS / ASSEMBLY</u>	<u>PAGE</u>
Safety and Maintenance.....	1 - 2	401 Hand Drop Bench Assembly.....	9-10
Head Rest Cushion.....	3 - 6	401 Kick Drop Bench Assembly	11-12
Chest & Pelvic Drop Cushion.....	7-8	Tilt Head Assembly.....	13-14
		Deluxe Head I-Frame Assembly.....	15-16
		Deluxe Head Cushion	17-18
		Straight Drop Head.....	19-20
		Forward Motion Drop Head.....	21-22

Table Serial Number _____

WELCOME!!

Lloyd Table Company, a proud supporter of today's chiropractors, has established the finest line of chiropractic tables in the world. Table products unique in versatility and function, designed to meet your needs.

SAFETY

Concerned for a safe working and treatment environment, Lloyd Table Company asks that you follow the safety tips below.

- * Be aware of **Caution** and **Warning** labels posted throughout the table before operating any functions.

- * Everyone operating the table needs to read the manual and familiarize themselves with all its functions before operating the table with patient on it.

- * A patient should never be unattended, when lying on the table.
NEVER LEAVE A PATIENT ON THE TABLE UNATTENDED!

- * The patient should be positioned at or near the center of the table with **arms on the armrest cushions.**

- * There should be no more than one operator at the controls.

- * Check the tension on all drops before adjusting the patient. (See Page 7)



MAINTENANCE

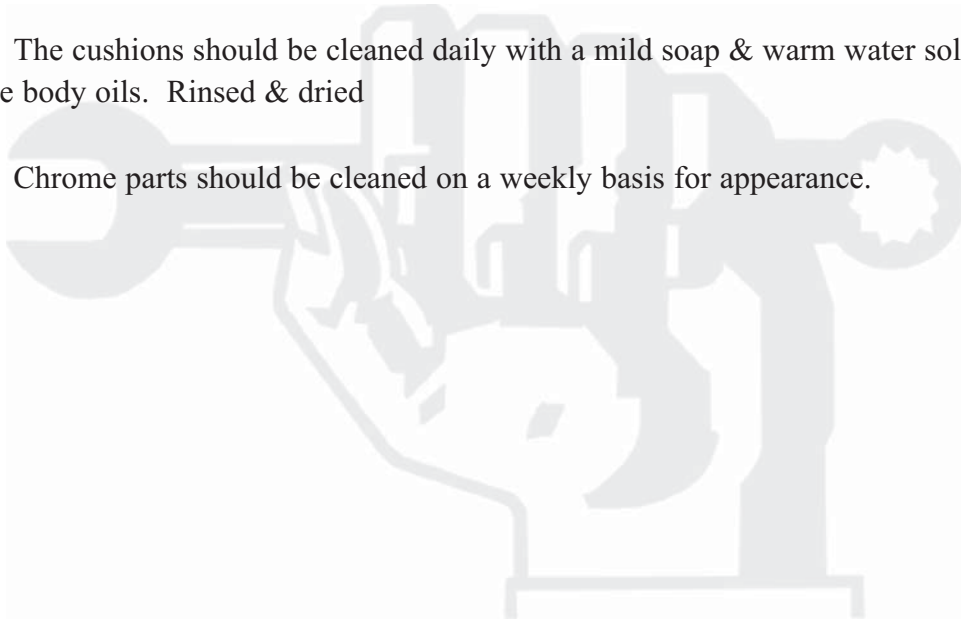
The following steps should be performed on a regular basis to maintain your Lloyd table in a smooth operating condition and to assure its long life and top quality appearance.

- * An initial inspection and periodic future inspections should be made to insure that nuts and bolts have not loosened in shipping or during daily operations.

- * Your Lloyd table should be lubricated every **six months**. Parts to be lubricated are all pivot points, and metal to metal sliding mechanisms.
(DO NOT LUBRICATE FRICTION LOCKS)

- * The cushions should be cleaned daily with a mild soap & warm water solution to remove body oils. Rinsed & dried

- * Chrome parts should be cleaned on a weekly basis for appearance.



The following sections provide explanations on the operation of your Lloyd table. All references to right and left, will be in relationship to your view, as you face table from the foot end. All references to the front will refer to the head end of the table. Those to the rear will refer to the foot end.

Head Cushion

The head cushion is designed to provide a multitude of positions & operations through our Add On Paper (AOP), Deluxe Headpiece and optional Total Dimension Flexion™ Headpieces.



Tilting Head Adjustment

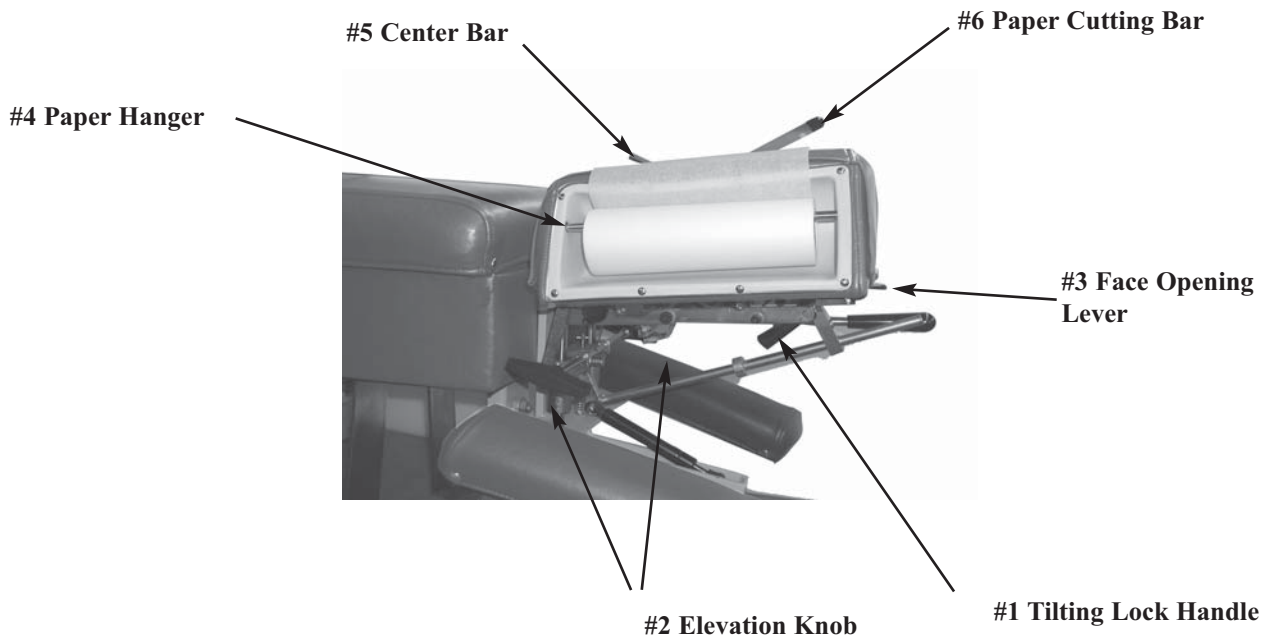
To raise the tilting headpiece:

- 1 Lift on the bottom front edges of the cushion.
- 2 Release when desired height is obtained, the cushion will automatically lock into position.

To lower the tilting headpiece:

- 1 Support the corner edge of the cushion.
- 2 Lift the Locking Handle (#1) to release.
- 3 Gently lower the cushion to the desired height.
- 4 Release the Lock Handle (#1) and then the cushion to lock.

Deluxe Headpiece



Deluxe Headpiece

To Raise the tilting feature on the Deluxe Headpiece:

1. Lift on the bottom front edges of the cushion
2. Release at the desired height, the cushion will automatically lock into position.



To Lower the tilting feature on the Deluxe Headpiece:

1. Support the front corner edge of the cushion.
2. Lift the Locking Handle (No. 1) to release
3. Gently lower the cushion to the desired height.
4. Release the lock handle first and then the cushion to lock.



WARNING: TO AVOID INJURIES WHEN RAISING OR LOWERING HEAD CUSHIONS, BE SURE TO HAVE A PROPER HOLD ON THE CUSHION BEFORE RELEASING THE ELEVATING HANDLE (NO. 2).

Deluxe Headpiece



To Elevate the Head Cushion

1. The head cushion is assisted by a gas shock in raising the cushion. With a hand supporting the head cushion, turn the Elevation Knob (No. 2) on either side of the table upward to unlock. When the desired height is determined simply release the Elevation Knob (No. 2) to lock.

To Lower the Head Cushion

1. Turn the Elevation Knob upward to unlock. While unlocked push down on the cushion to lower. When the desired height is determined simply rotate the Elevation Knob (No. 2) down to lock.

Face Opening Adjustment

1. The Head Cushion's face opening can be opened or closed to adjust for comfort with the Face Opening Lever (No. 3). By Pushing slightly down on the Face Opening Lever, slide cushions to adjust opening. The Face Opening Lever must be released in one of eight positions to lock the cushions in place.

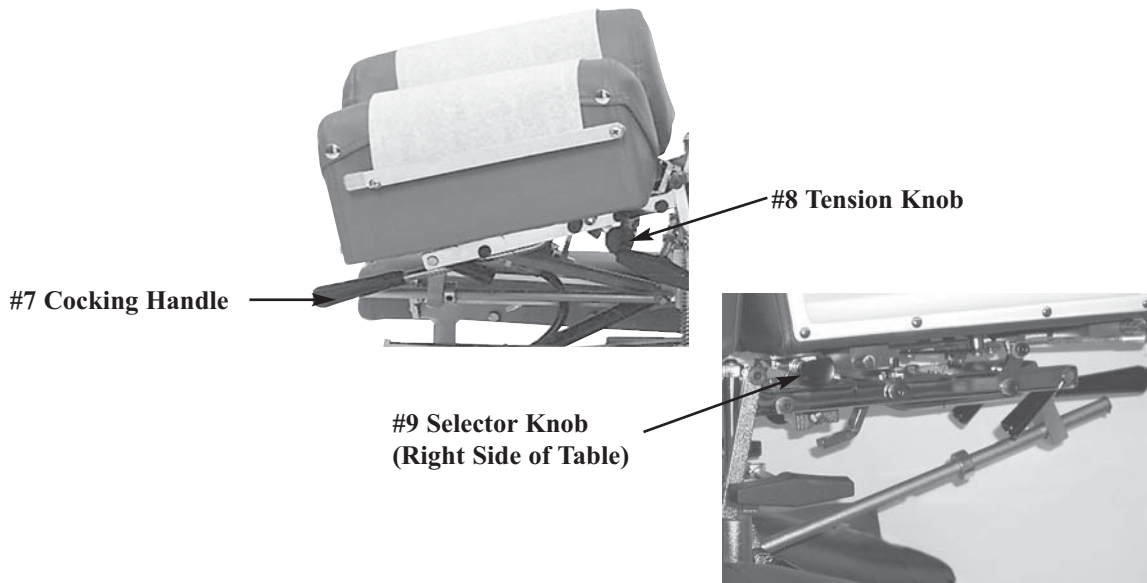
Paper Roll

The paper roll mounts conveniently inside the right-hand cushion.

Replacing the Paper Roll

1. Remove the paper hanger tension rod (No. 4) by compressing ends of the rod horizontally. This will allow you to slide one end out, to remove the paper roll tube.
2. Slide a new paper roll on the tension rod so that it rolls off the bottom side. Compress the rod ends horizontally and set inside the head cushion.
3. Swing the Center Bar (No. 5, Page 4) and Outside Cutting Bar (No. 6, Page 4) up. Route paper over the cushions and down between the two outside cutting bars. Return both bars to their original position.
4. Trim the paper by supporting the paper cutting bar with one hand and pulling the paper up along the bar's edge.

Deluxe Head with Drops



Operating the Straight / Toggle Drop:



CAUTION: THE DROP CUSHION TENSION SHOULD BE CHECKED AND TESTED BEFORE ADJUSTING A PATIENT.

NOTE - DROP SHOULD BE IN DOWN / DEACTIVATED POSITION BEFORE MOVING SELECTOR KNOB (NO. 9) IN OR OUT.

1. To engage the Straight / Toggle Drop head, pull the selector knob (No. 9) out about half an inch.
2. Push down on the Cocking Handle (No. 7) until the head cushion toggle drop is activated .
3. Once cocked, test the drop by pushing down on the cushion. If the cushion drops easily or too hard, adjust the tension with the Tension Knob (No. 8).

Operating The Tension Knob:

1. The tension is adjusted by turning the tension knob (No. 8) in a clockwise and counterclockwise direction.
 - A. Clockwise - Increases tension
 - B. Counterclockwise - Decreases tension

Operating the Forward Motion Drop:

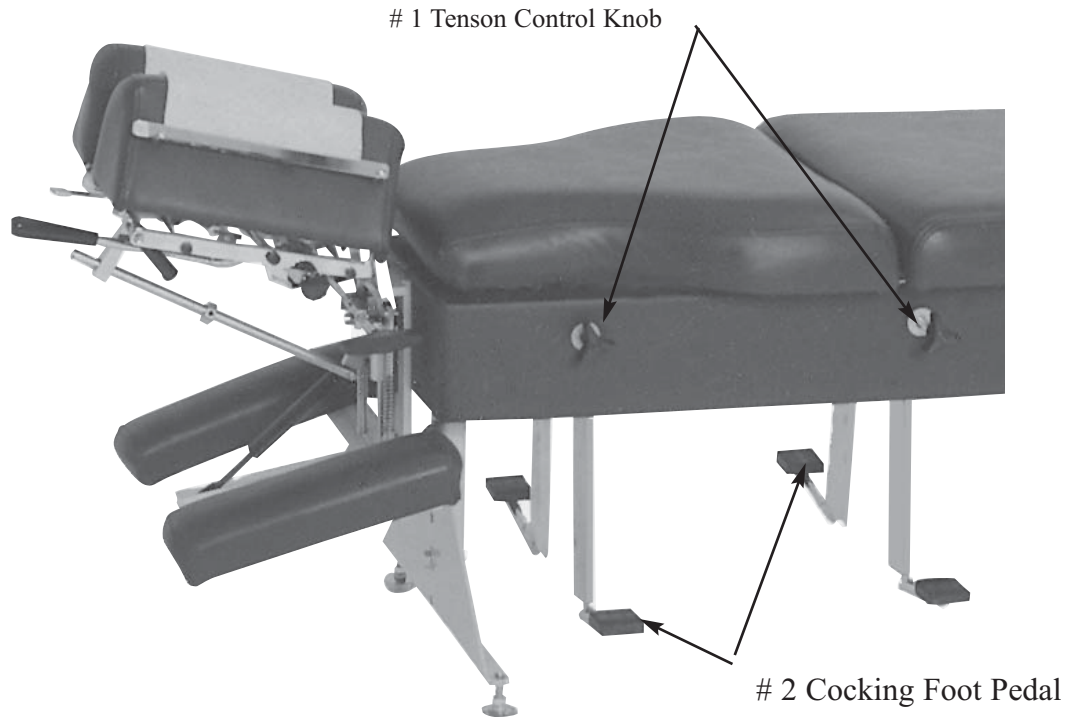


CAUTION: THE DROP CUSHION TENSION SHOULD BE CHECKED AND TESTED BEFORE ADJUSTING A PATIENT.

NOTE - DROP SHOULD BE IN DOWN / DEACTIVATED POSITION BEFORE MOVING SELECTOR KNOB (NO. 9) IN OR OUT.

1. The Selector Knob (No. 9) is to be pushed in, to engage the forward motion drop.
2. Push down on the Cocking Handle (No. 7) until the head cushion forward motion drop is activated.
3. Once cocked, test the drop by pushing down on the cushion, and adjust the tension.

Chest & Pelvic Drops



CAUTION: THE DROP CUSHION TENSION SHOULD BE CHECKED AND TESTED BEFORE ADJUSTING A PATIENT.

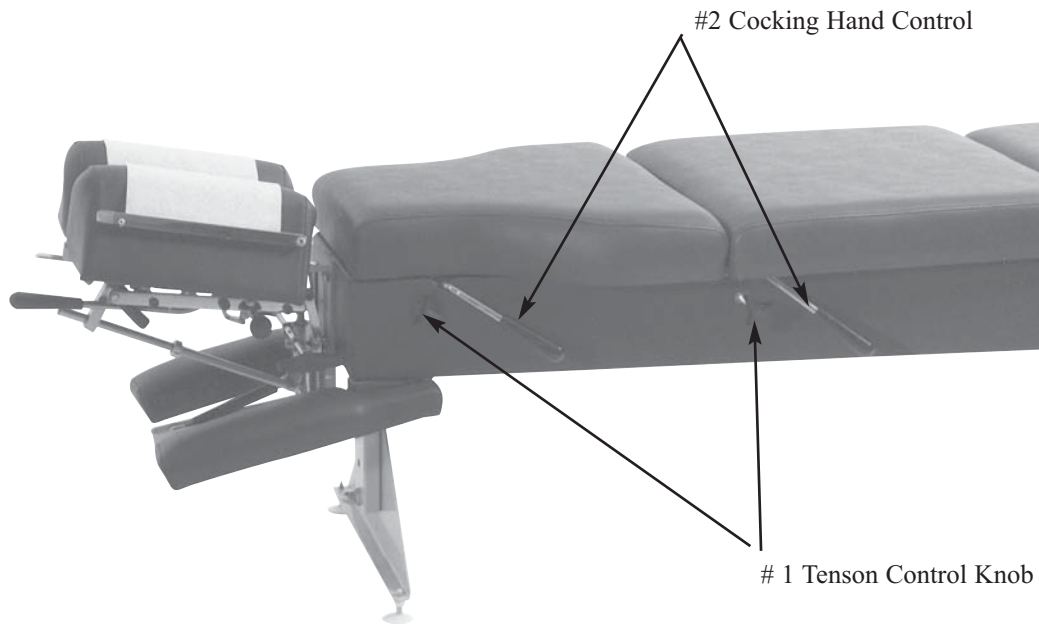
Cocking the Drop Chest or Pelvic Cushion

1. Push forward on the desired Cocking Foot Pedal (No.2), to cock either the Chest or Pelvic cushion. The cushion will rise about 5/8" of an inch and snap into its top position and hold. Step off the pedal once the cushion is locked into the up position. The pedal will draw back to its original position when released.

Operating The Tension Knob:

1. The tension is adjusted by turning the tension knob (No.1) in a clockwise and counterclockwise direction.
 - A. Clockwise - Increases tension
 - B. Counterclockwise - Decreases tension

Chest & Pelvic Drops



CAUTION: THE DROP CUSHION TENSION SHOULD BE CHECKED AND TESTED BEFORE ADJUSTING A PATIENT.

Cocking the Drop Chest or Pelvic Cushion

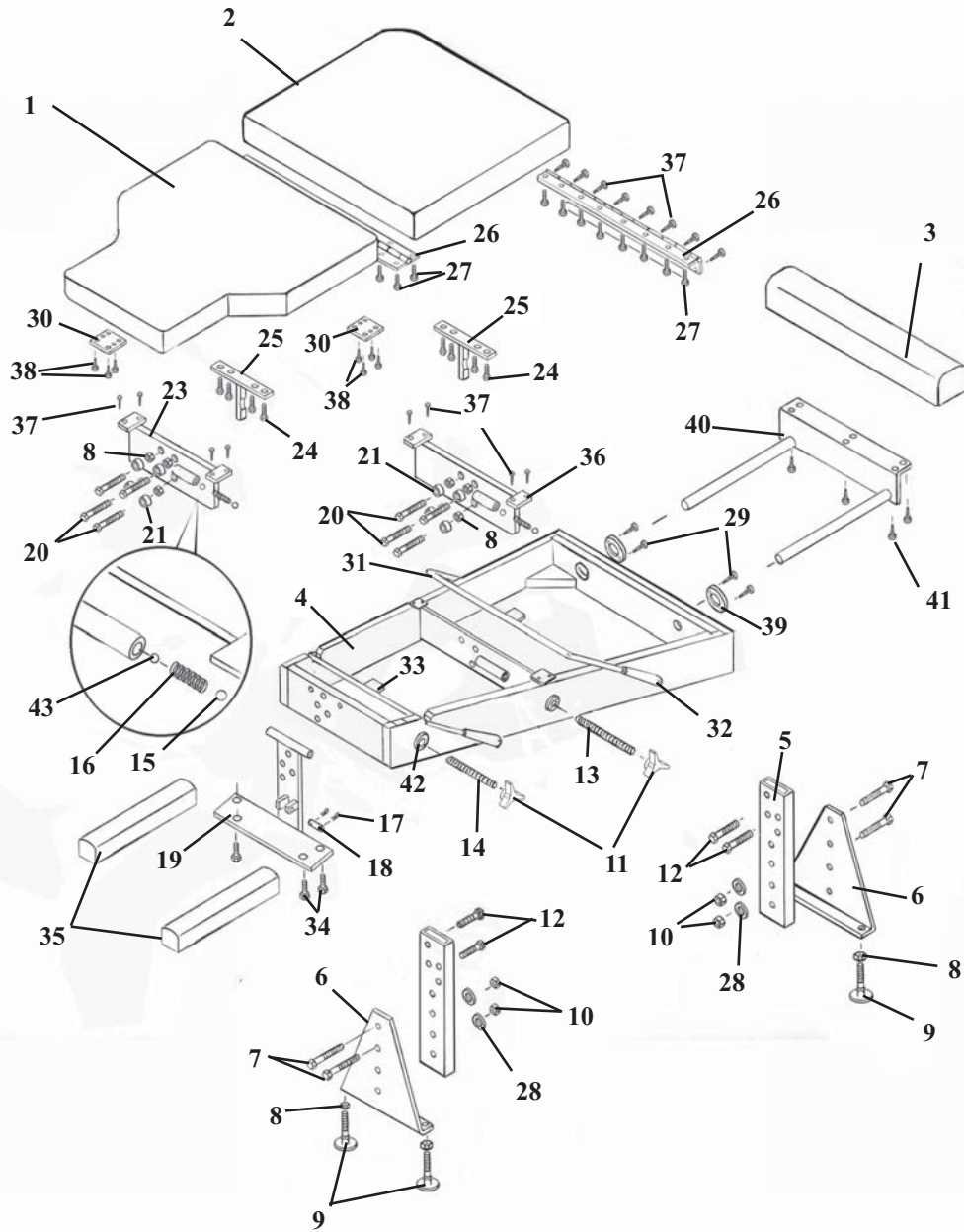
1. The Drop Chest and Pelvic are set in the drop position with the Cocking Hand (No.2). Simply lift on the ends of the Cocking Hand (black knob) about three quarters of an inch or when you hear the drop snap in place.

Operating The Tension Knob:

1. The tension is adjusted by turning the tension knob (No.1) in a clockwise and counterclockwise direction.
 - A. Clockwise - Increases tension
 - B. Counterclockwise - Decreases tension

401 DROP BENCH Hand Drop Ass'y

293010



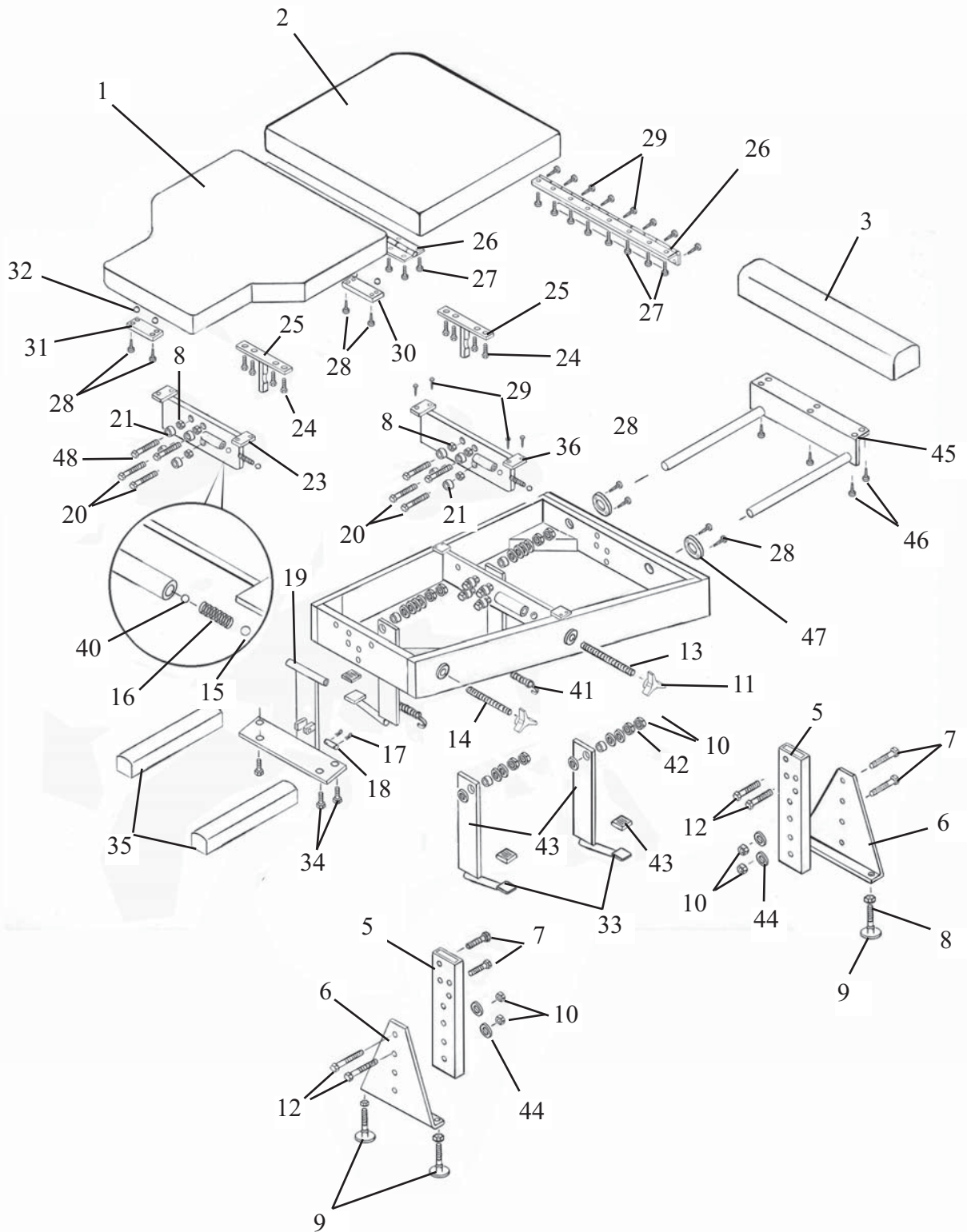
401 DROP BENCH

Hand Drop Ass'y

293010

ITEM	PART NO.	DESCRIPTION	QTY
1	40840	CHEST CUSHION	1
2	40845	PELVIC CUSHION	1
3	40410	ANKLE CUSHION	1
4	41180	BENCH FRAME ASS'Y	1
5	56170	LEG POST	2
6	54211	LEG PLATE	2
7	20520	HEX. HD. BOLT 1/2-20NF X 1 3/4	4
8	21211	HEX. NUT 3/8-16NC	4
9	20372	BOLT, ELEVATOR, 3/8-16NC X 1 1/2	4
10	21320	HEX. NUT, 1/2-20NF	4
11	24180	CONTROL KNOB	2
12	20417	HEX. BOLT, 3/8-16NC X 4.00	8
13	56212	TENSION ROD, 3/8-16UNC THD.	1
14	56213	TENSION ROD, 3/8-16UNC THD.	1
15	22710	STEEL BALL 1/2"	2
16	30830	TENSION SPRING	1
17	22640	COTTER PIN	2
18	54210	SUPPORT PIN, 5/16 X 1 1/2	1
19	56172	MOUNTING BRACKET	1
20	20332	HEX. HD. BOLT, 3/8-16UNC X 1.00	8
21	22810	GUIDE BEARING	6
22	21210	HEX. NUT 3/8-16UNC	8
23	56154	BEARING PLATE ASS'Y, CHEST SECTION	1
24	20023	HEX. HD. BOLT, 1/4-20UNC X 1.00	8
25	56158	T-WEDGE, CHEST	2
26	24309	CUSHION HINGE	2
27	22002	FLAT HD. SCREW, #10-24UNC X 3/4	7
28	21910	FLAT WASHER, STL, 1/2 ID X 1 OD	4
29	22507	FLAT HD. SCREW, #9 X 3/4	9
30	58140	STRIKER PLATE	2
31	56165	COCKING HANDLE, PELVIC	1
32	24010	HANDLE	4
33	56163	COCKING HANDLE, CHEST	1
34	20052	HEX. HD. BOLT, 5/16-18UNC X 2.00	3
35	40839	ARM REST CUSHION	2
36	56161	BEARING PLATE	1
37	22510	FLAT HD. SCREW, #9 X 1 1/2	8
38	22411	PAN HD. SCREW, #6 X 1/2	4
39	56287	PLASTIC WASHER 3/4 ID X 2.00 OD	2
40	54206	SLIDE BRACKET ASS'Y	1
41	22468	PAN HD. SCREW, #10 X 7/8	6
42	21912	PLASTIC WASHER, 1/2 ID X 1 1/4 OD	2
43	22700	STEEL BALL, 3/8"	2

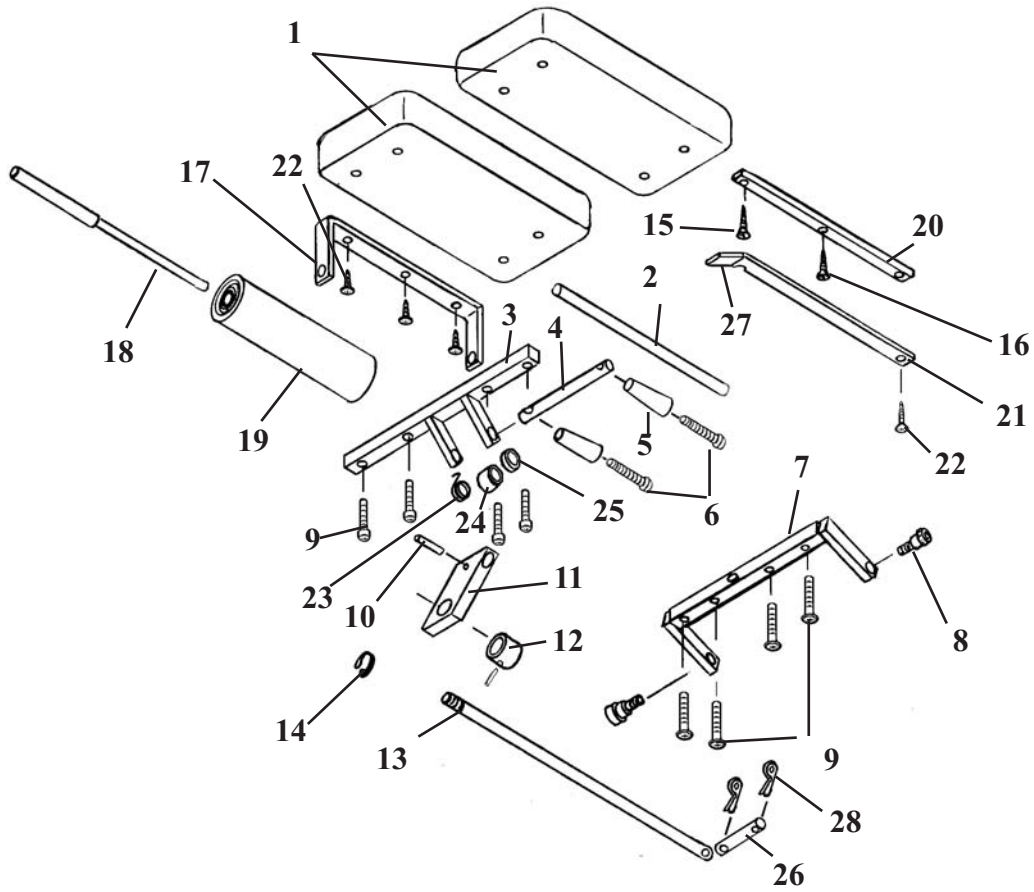
401 Kick Drop Bench



401 KICK DROP BENCH

Item	Part No.	Description	Qty.
1	40840	Chest Cushion	1
2	40845	Pelvic Cushion	1
3	40882	Ankle Cushion	1
4	41180	Bench Frame Ass'y	1
5	56170	Leg Post	1
6	54211	Leg Plate	2
7	20520	Hex. Hd. Bolt 1/2-20unf x 1 3/4	4
8	21210	Hex. Nut 3/8-16 unc	16
9	20372	Elevator Bolt, 3/8-16unc x 1 2	4
10	21320	Hex. Nut, 1/2-20unf	12
11	24180	Control Knob	2
12	20417	Hex. Bolt, 3/8-16unc x 4	4
13	56212	Tension Rod, 3/8-16unc Thd.	1
14	56213	Tension Rod, 3/8-16unc Thd.	1
15	22710	Steel Ball 1/2"	2
16	30830	Tension Spring	2
17	22640	Cotter Pin	2
18	57926	Support Pin, 5/16 dia. X 1 2	1
19	56172	I-Frame Ass'y	1
20	20332	Hex. Hd. Bolt, 3/8-16unc x 1.00	4
21	22812	Guide Bearing	6
22	20409	Hex. Hd. Bolt 3/8-16unc x 3	4
23	56272	Bearing Plate Ass'y (Chest Section)	1
24	20022	Hex. Hd. Bolt, 1/4-20unc x 1.00	8
25	56158	T-Wedge, Chest	2
26	24309	Cushion Hinge	2
27	22002	Flat Hd. Screw, #10-24unc x 3/4	27
28	22420	Rd. Hd. Screw, #6 x 1.00	8
29	22510	Flat Hd. Screw, #9 x 1 1/2	17
30	56274	Striker Plate, Pelvic	1
31	56267	Striker Plate, Chest	1
32	22705	5/16 dia. Bearing Ball	4
33a	56262	Cocking Plate Ass'y- 17"	4
33b	56277	Cocking Plate Ass'y- 15"	4
33c	56275	Cocking Plate Ass'y- 13"	4
33d	56252	Cocking Plate Ass'y- 14"	4
34	20052	Hex. Hd. Bolt, 1/4-20 unc x 1 3/4	4
35	40839	Arm Rest Cushion	2
36	56277	Bearing Plate Ass'y	1
37	22890	Bushing, 1/2 ID x 5/8 OD	4
38	21959	Flat Washer, Plastic, 11/16ID X 1 1/2OD	8
39	21912	Plastic Washer, 1/2 ID x 1 1/4 OD	8
40	22700	STEEL BALL 3/8"	2
41	30738	Return Spring, 3/8 x 3.00	4
42	21913	Flat Washer, 1/2 ID X 1 1/4 OD	8
43	24245	Foot Pad	4
44	21910	Flat Washer, 1/2 ID X 1.00 OD	8
45	54206	Slide Bracket Ass'y	1
46	22468	Pan Hd. Screw, #10 x 7/8	6
47	56287	Flat Washer, 3/4 ID x 1 1/4 OD	2
48	20362	HEX. HD. BOLT, 3/8-16unc x 1 1/2	4

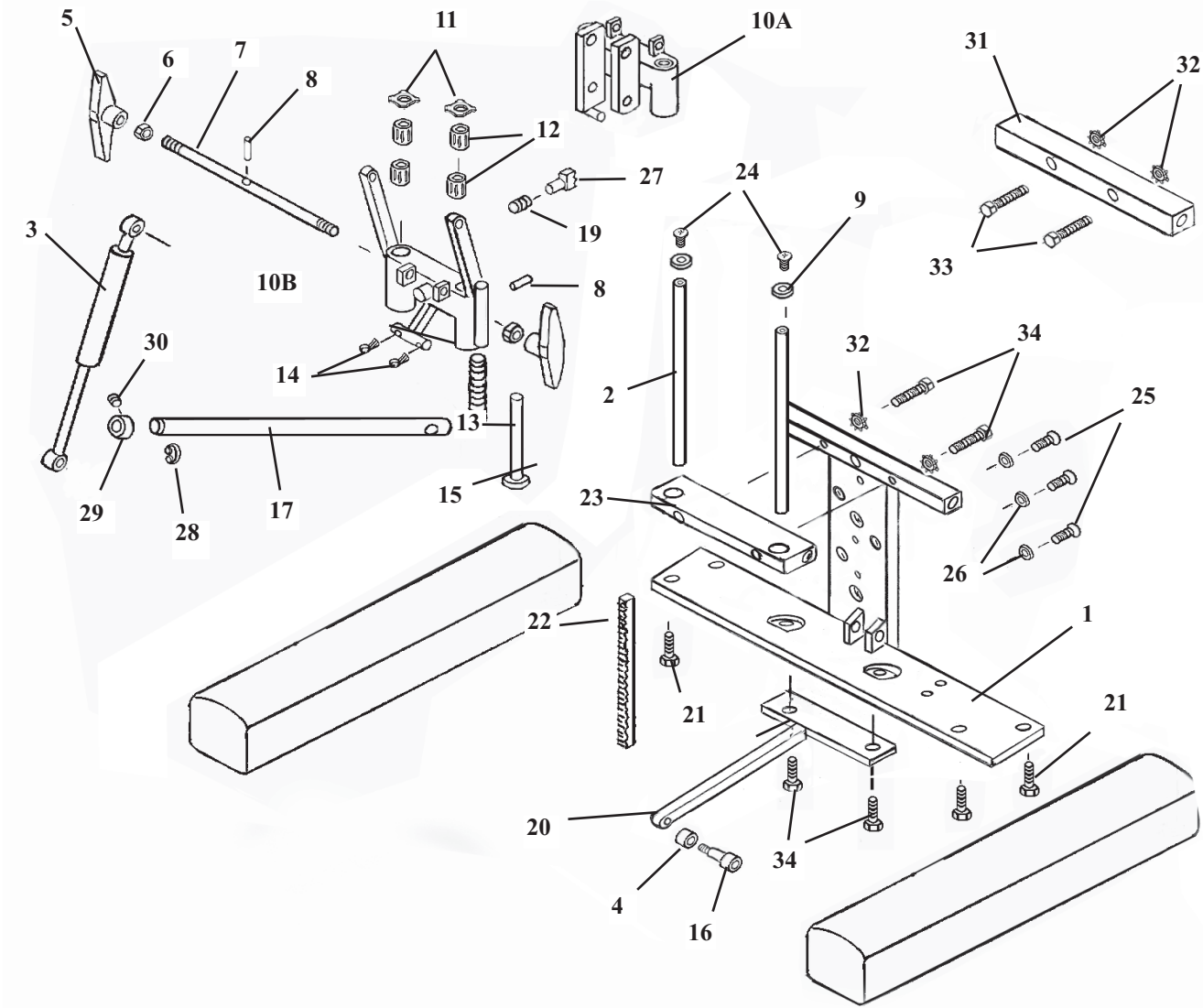
TILT HEAD CUSHION ASS'Y



TILT HEAD CUSHION ASS'Y

ITEM	PART NO.	DESCRIPTION	QTY.
1	40654	HEAD CUSHION	2
2	57936	CENTER ROD	1
3	56381	FRONT BRACE	1
4	56152	ADJUSTMENT ROD	1
5	24020	HANDLE	1
6	22050	RD. HEAD SCREW, ¼-20 UNC X 2 ½	2
7	56396	BACK BRACE	1
8	20003	SOCKET HD. BOLT, ¼-20 UNC X ½	2
9	22003	PAN HD. SCREW, #10-24 UNC X ¾	8
10	22675	ROLL PIN	1
11	54107	ADJUSTING BLOCK	1
12	22913	COLLAR	1
13	54142	ADJUSTING EYE-ROD	1
14	22508	FLAT HD. SCREW, #10 X 7/8	1
15	22455	RD. HD. SCREW, #8 X ¾	4
16	24285	E-CLIP	1
17	56305	PAPER HANGER	1
18	57956	HANGER ROD ASS'Y	1
19	29999	PAPER ROLL	1
20	57934	INSIDE BAR	1
21	57933	OUTSIDE CUTTING BAR	1
22	22468	SHEET METAL SCREW, #10 X 7/8	1
23	30870	TORSION SPRING	1
24	22912	COLLAR, 3/8 ID	1
25	21912	PLASTIC WASHER, ½ ID X 1 ¼ OD	1
26	24235	PIN, 5/16 X2	1
27	24235	PLASTIC GUARD	1
28	22640	COTTER PIN	2

I - FRAME ASSEMBLY DELUXE, FORWARD MOTION & FLEXION HEAD

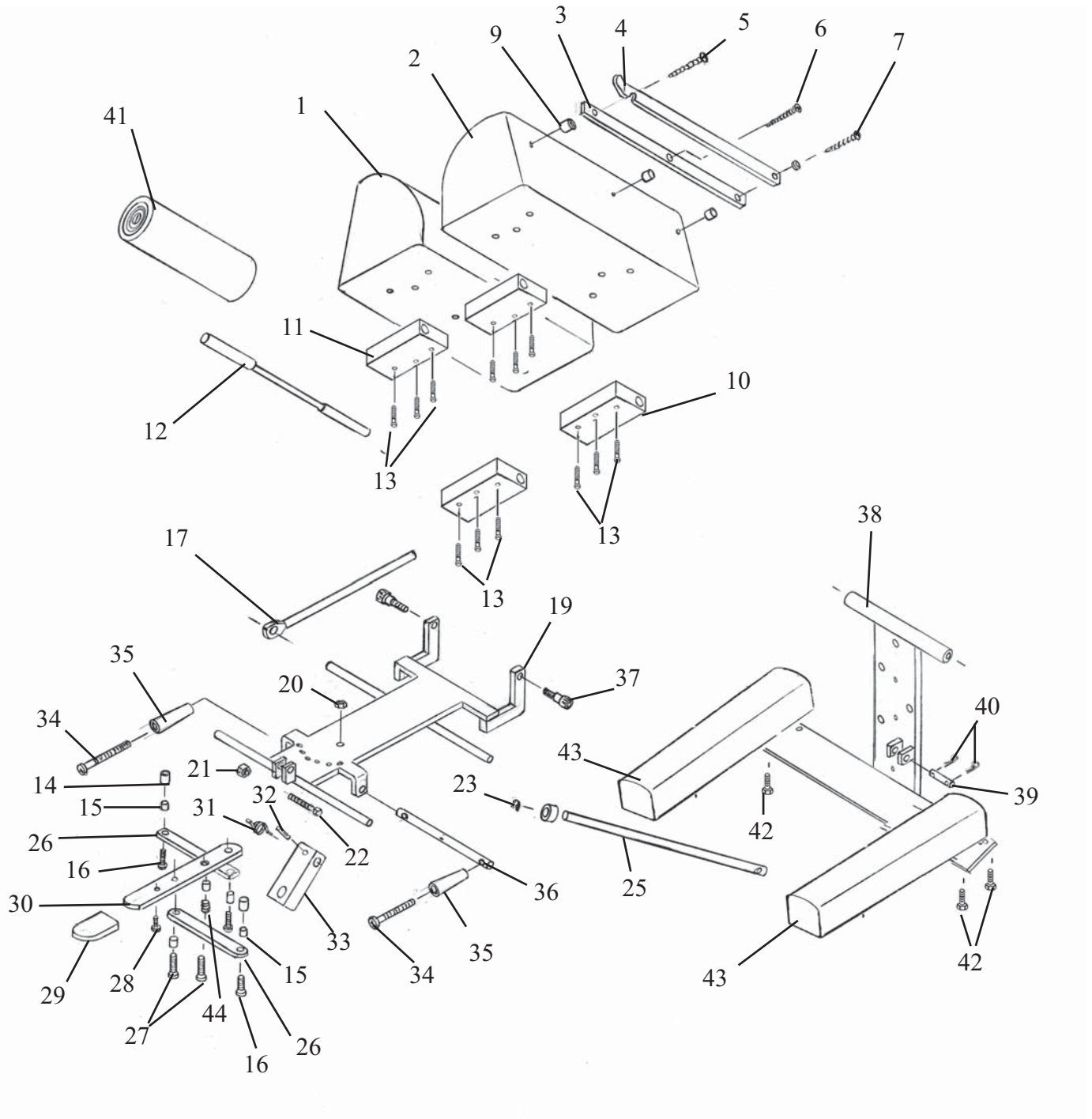


I - FRAME ASSEMBLY

DELUXE, FORWARD MOTION & FLEXION HEAD

ITEM	PART NO.	DESCRIPTION	QTY.
1	54193	I - FRAME ASSEMBLY	1
2	50872	GUIDE ROD	2
3A	30296	CYLINDER, F/M 89 & FLEXION HEAD, 50 #	1
3B	30297	CYLINDER, DELUXE 89 HEAD, 40 #	1
4	56006	SPACER, 3/8 ID X 1/2 OD	1
5	24186	TENSION KNOB	2
6	21210	NUT, HEX, 3/8 - 16 NC	2
7	55949	ROD, ADJUSTMENT, 3/8 RD X 11	1
8	22675	ROLL PIN, 1/8 X 3/4	2
9	21620	WASHER, FLAT, 1/4 ID X 9/16 OD	2
10A	55750	SHUTTLE ASSEMBLY, FLEXION HEAD	1
10B	56045	SHUTTLE ASSEMBLY, F/M & DELUXE HEAD	1
11	24050	SPRING CLIPS	4
12	22891	BUSHING, 1/2 ID X 1 OD	4
13	30740	SPRING, COMPRESSION, 5/16 ID X 4 3/4	1
14	22640	COTTER PIN, 3/32 X 1	2
15	55959	PLUNGER ASSEMBLY	1
16	20003	BOLT, SOCKET HD, 1/4-20 X SHLD. 5/16 X 1/2	1
17	54108	ROD, TILT LOCK, 1/2 RD X 13 13/16	1
18	40839	ARM REST CUSHION	2
19	30750	SPRING, COMPRESSION	1
20	54243	EXTENSION TONGUE ASS'Y	1
21	20052	BOLT, HEX HEAD, 1/4 - 20 NC X 1 3/4	4
22	56019	GEAR RACK	1
23	56145	SPACER, PLATE, 3/8 X 1 1/4 X 4 9/16	1
24	22013	SCREW, MACHINE, BUTTON SOC. HD. 1/4 - 20 NC X 1/2	2
25	21975	SCREW, MACHINE, PAN HEAD, #6 - 32 X 1/2	3
26	21510	WASHER, FLAT, 3/16 ID X 1/2 OD	3
27A	56064	LOCK PIN ASSEMBLY, F/M & DELUXE HEAD	1
27B	56007	LOCK PIN ASSEMBLY, FLEXION HEAD	1
28	24285	SNAP RING, 1/2"	1
29	22913	SET COLLAR, 1/2"	1
30	22110	SET SCREW, 1/4-20UNC x 1/4	1
31	56393	SPACER, 5/8 X 1 X 7 7/16	1
32	21630	WASHER, STAR, 1/4 ID	4
33	20055	BOLT, HEX HEAD, 1/4 - 20 NC X 2	2
34	20022	BOLT, HEX HEAD, 1/4-20 UNX X 1	4

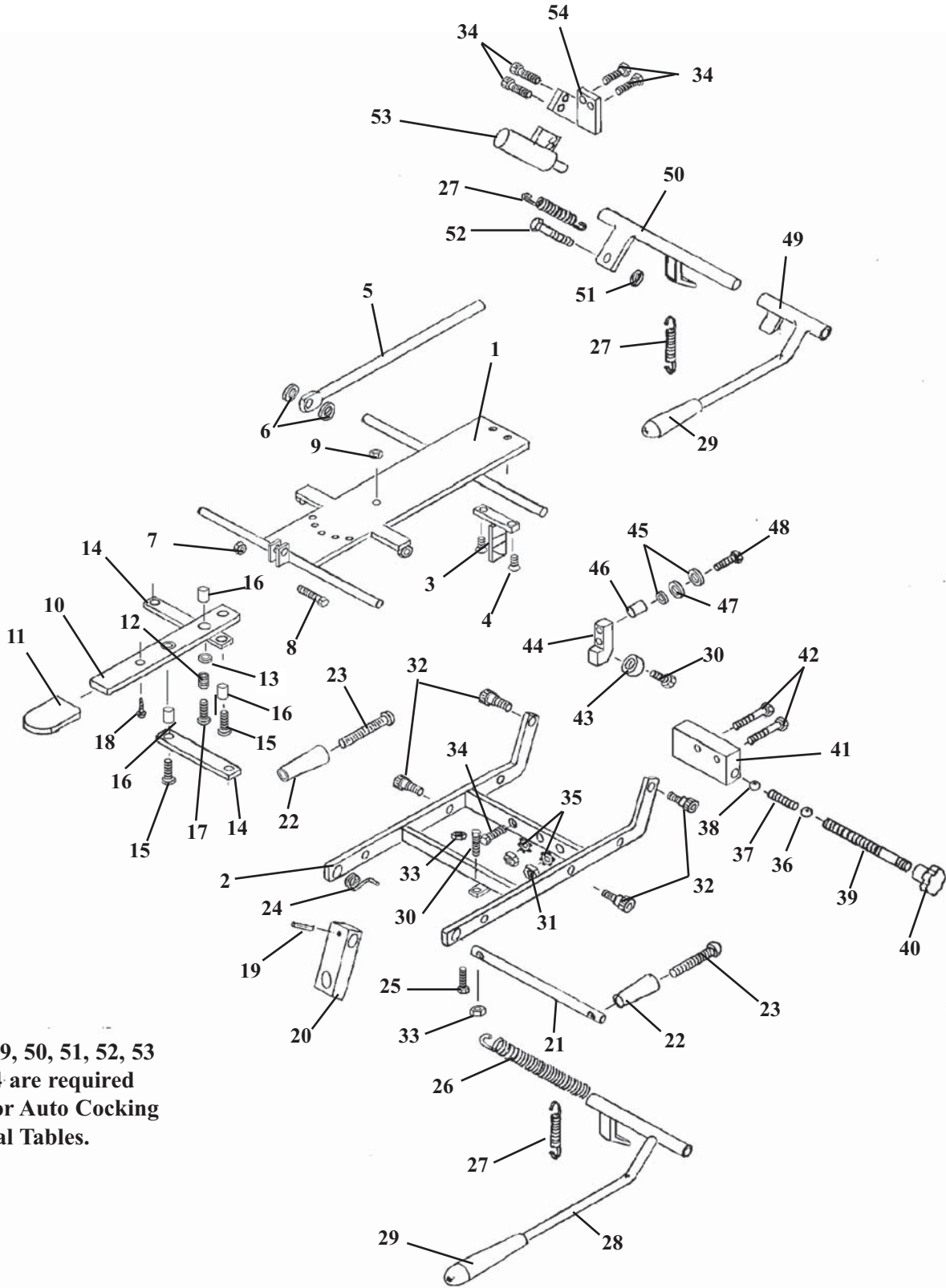
Deluxe Head Cushion Assembly



Deluxe Head Cushion Assembly

ITEM	PART NO.	DESCRIPTION	QTY.
1	40943	HEAD CUSHION ASS'Y	1
2	40944	HEAD CUSHION ASS'Y	1
3	57934	INSIDE CUTTER BAR	1
4	57933	OUTSIDE CUTTER BAR	1
5	22522	RD. HD. SCREW, #9 X 2	1
6	22510	FLAT HD. SCREW #9 X 1 ½	1
7	22550	RH. HD. SCREW, #14 X 2	1
8	21610	FLAT WASHER, 3/16 ID X ¼ OD	1
9	57932	SPACER, 3/8 ID X ½ OD	3
10	57156	REAR HINGE	2
11	57155	FRONT HINGE	2
12	50777	HANGER	1
13	22002	OVAL HD. MACHINE SCREW, #10-24 UNC X ¾	6
14	51750	BUSHING, 5/16 ID X 7/16 OD	2
15	22860	BUSHING, 3/16 ID X ½ OD	5
16	22005	OVAL HD. MACHINE SCREW, #10-24 UNC X 1	1
17	55929	CENTER BAR	1
18	21850	PLASTIC WASHER	1
19	57240	INSIDE FRAME ASS'Y	1
20	21450	HEX. NUT, #10-24 UNC	1
21	21020	HEX. NUT, ¼-28 UNF	1
22	20115	HEX. HD. BOLT, ¼-28 UNF X 1	1
23	24285	E-CLIP	1
24	22913	COLLAR	1
25	54142	EYE-ROD	1
26	57175	LINKAGE ARM	2
27	21995	PAN HD. MACHINE SCREW, #10-24 UNC X ½	1
28	22300	MACHINE SCREW, #8-32 UC X ¼	1
29	24236	PLASTIC CAP	1
30	57188	ADJUSTMENT HANDLE	1
31	24010	COIL SPRING	1
32	22675	ROLL PIN	1
33	54107	ADJUSTMENT BLOCK	1
34	22050	RD. HD. MACHINE SCREW, ½-20UNC X 2 ½	2
35	24020	ADJUSTMENT HANDLE	2
36	57205	LOCK ROD	1
37	20003	SOCKET HD. BOLT, 5/16 X 3/8 SHLD. ¼-20 UNC	2
38	56172	I-FRAME	1
39	57926	PIN	1
40	22640	COTTER PIN	2
41	29999	PAPER ROLL	1
42	20052	HEX. HD. BOLT, ¼-20UNC X 1.00	4
43	40839	ARM REST CUSHIONS	2
44	30722	COMPRESSION SPRING, ¼ ID X 5/16 OD X ½	1

STRAIGHT DROP HEAD ASSEMBLY

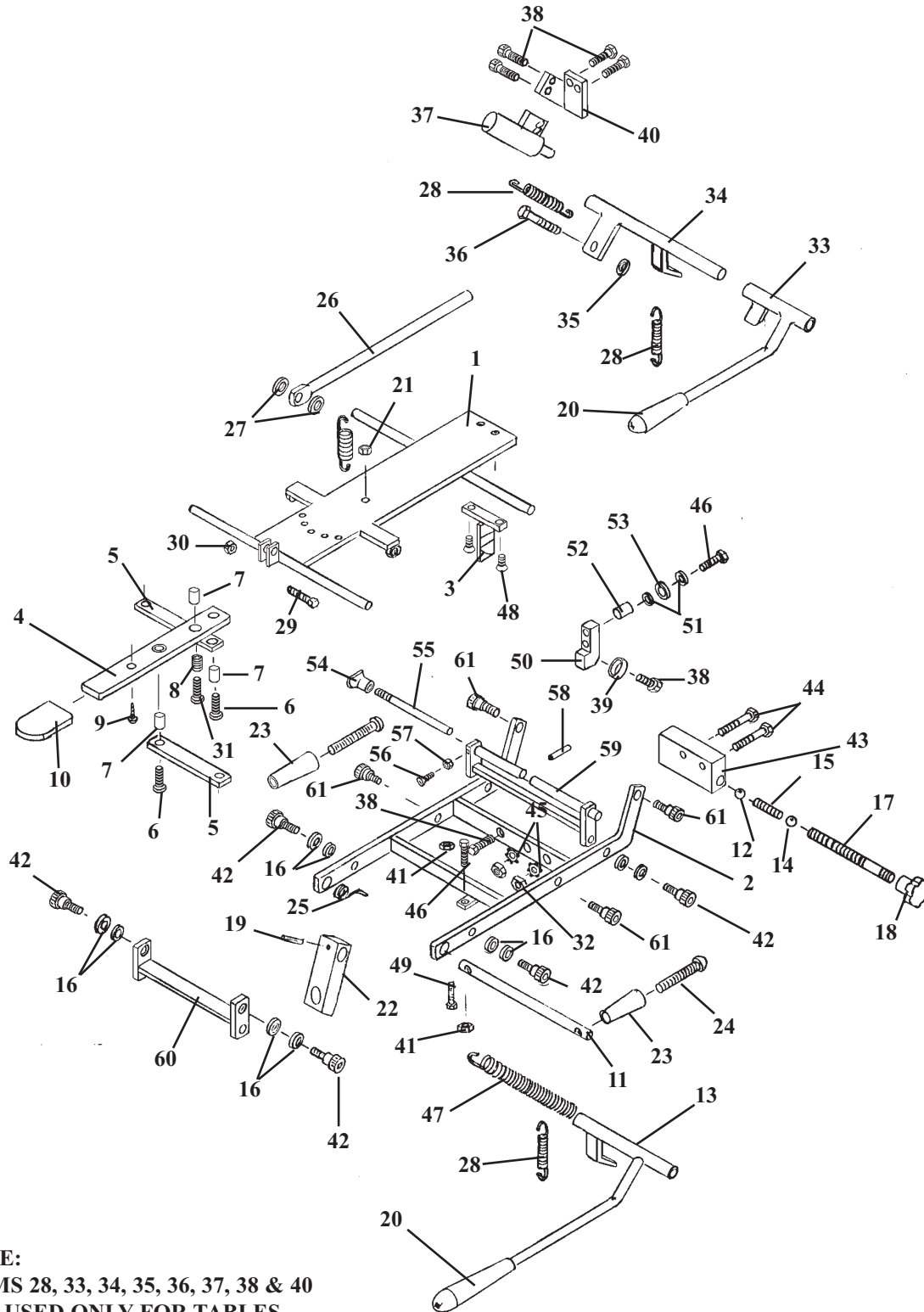


Items 49, 50, 51, 52, 53 and 54 are required only for Auto Cocking Cervical Tables.

STRAIGHT DROP HEAD ASSEMBLY

ITEM	PART NO.	DESCRIPTION	QTY.
1	56011	FASTENER PLATE ASS'Y, '89 STRAIGHT DROP HD	1
2	57201	OUTSIDE DROP FRAME ASS'Y, '89 FM HEAD	1
3	55850	TEE WEDGE ASSEMBLY	1
4	22017	SCREW, MACHINE, FLAT HEAD, ¼ - 20 UNC X ½	2
5	55929	CENTER ROD ASSEMBLY	1
6	21616	WASHER, PLASTIC, ¼ ID X ¾ OD	2
7	21020	NUT, HEX, ¼ - 28 UNF	1
8	20115	BOLT, HEX HEAD, ¼ - 28 UNF X ¾	1
9	21450	NUT, HEX, # 10 - 24 UNC	1
10	57221	ADJUSTMENT ARM, 1/8 X 7/8 X 8	1
11	24236	GUARD, TEE HANDLE	1
12	30722	SPRING, COMPRESSION, 0.235 ID X 5/16 OD X ½	1
13	21610	WASHER, PLASTIC, 0.26 ID X ½ OD	2
14	57175	LINKAGE BAR, 1/8 X ½ X 3 13/16	2
15	21995	SCREW, MACHINE, PAN HEAD, # 10 - 24 UNC X ½	2
16	22860	BUSHING, 0.465 ID X 9/16 OD X 19/32	3
17	22003	SCREW, MACHINE, PAN HEAD, # 10 - 24 UNC X ¾	1
18	22300	SCREW, MACHINE, # 8 - 32 UNC X ¼	1
19	22660	ROLL PIN, 1/8 X 5/8	1
20	54107	BLOCK, ADJUSTING, '89 HEAD, 5/8 X 1 X 2 15/16	1
21	57205	ROD, TILT HANDLE, 3/8 RD X 5 ½	1
22	24020	HANDLE	2
23	22050	SCREW, MACHINE, RD HEAD, ¼ - 20 - UNC X 2 ½	2
24	30871	SPRING, TORSION	1
25	20024	BOLT, SOCKET HEAD, ¼ - 20 UNC X 1 ¼	1
26	30785	SPRING, TENSION (HYLO TABLES)	1
27	30725	SPRING, EXTENSION, ¼ ID X 5/16 X 1	1
28	56067	COCKING HANDLE ASS'Y, F/M '89 HEAD	1
29	24010	HANDLE GRIP	1
30	20020	BOLT, HEX HEAD, ¼ - 20 UNC X 1 ¼	2
31	21112	NUT, HEX, 5/16 X 18 UNC	2
32	20197	BOLT, SOCKET HEAD, 5/16 - 18 UNC, SHOULDER, 3/8 X 3/8	4
33	21012	NUT, JAM, ¼ - 20 UNC2	2
34	20007	BOLT, HEX HEAD, ¼ - 20 UNC X 5/8	6
35	21755	WASHER, STAR, 5/16 ID	2
36	22701	BALL, STEEL, ¼ RD	1
37	30721	SPRING, COMPRESSION, 0.175 ID X 23/64 OD X 1 1/8	1
38	22700	BALL, BEARING, 3/8 RD	1
39	57184	STUD, TENSION ADJUSTMENT, 5/16 RD X 2 ¼	1
40	24150	KNOB, TENSION ADJUSTMENT	1
41	55849	BLOCK, DROP, 1 X 1 7/16 X 2 3/32	1
42	20235	BOLT, HEX HEAD, 5/16 - 18 UNC X 1 ¾	2
43	22805	BALL, BEARING, ¼ ID	1
44	57102	BLOCK, BACKER BEARING, STRAIGHT DROP, ¾ X 9/16 X 1 ¼	1
45	21620	WASHER, FLAT, ¼ ID X 9/16 OD X 3/16	2
46	50720	SPACER, 3/8 ID X ½ OD X ½	1
47	21710	WASHER, FLAT, 5/16 ID X 0.688 OD	1
48	20022	BOLT, HEX HEAD, ¼ - 20 UNC X 1	1
49	56069	COCKING HANDLE ASS'Y, F/M '89 HEAD (AUTO DROP)	1
50	57140	COCKING LEVER ASS'Y, F/M '89 HEAD (AUTO DROP)	1
51	21210	NUT, HEX, 3/8 - 16 UNC (AUTO DROP)	1
52	20320	BOLT, HEX HEAD, 3/8 - 16 UNC X ¾ (AUTO DROP)	1
53	625020	COCKING CYLINDER, ¾ RD w/FITTINGS (AUTO DROP)	1
54	57194	BRACKET, CYLINDER ADAPTER (AUTO DROP)	1

FORWARD MOTION HEAD FRAME



NOTE:
ITEMS 28, 33, 34, 35, 36, 37, 38 & 40
ARE USED ONLY FOR TABLES
WITH
AUTO COCKING CERVICAL.

FORWARD MOTION HEAD FRAME

ITEM	PART NO.	DESCRIPTION	QTY
1	56059	OUTSIDE DROP FRAME ASS'Y	1
2	57201	OUTSIDE HEAD FRAME ASS'Y	1
3	55850	TEE WEDGE	1
4	57221	ADJUSTMENT ARM, HEAD CUSHION	1
5	57175	LINKAGE BAR, 1/8 X 1/2 X 3 9/16	2
6	21995	PAN HD. MACHINE SCREW, #10-24 NC X 1/2	2
7	22860	BUSHING, 3/16 ID X 1/4 OD	3
8	30722	COMPRESSION SPRING, 1/4 ID X 5/16 OD	1
9	22300	MACHINE SCREW, #8-32 NC X 1/4	1
10	24236	PLASTIC CAP	1
11	57205	SUPPORT ROD, 3/8 RD. X 6 1/16	1
12	22700	BALL, STEEL, 3/8 DIA	1
13	56067	COCKING LEVER ASS'Y	1
14	22701	BALL, BEARING, 1/4 DIA	1
15	30710	COMPRESSION SPRING, 9/64 ID X 1/4 OD	1
16	21760	PLASTIC WASHER, 5/16 ID X 1/2 OD	12
17	57184	TENSION ADJUSTMENT SCREW, 5/16 RD. X 2 3/4	1
18	24150	KNOB, TENSION ADJUSTMENT	1
19	22660	ROLL PIN, 1/8 X 5/8	1
20	24010	COCKING HANDLE	1
21	21450	HEX NUT, #10-24 NC	1
22	54107	ADJUSTING BLOCK, 5/8 X 1.00 X 2 15/16	1
23	24020	ADJUSTMENT HANDLE	2
24	22050	MACHINE SCREW, RD. HD., 1/4-20 NC X 2 1/2	2
25	30871	TORSION SPRING	1
26	55929	CENTER BAR,	1
27	21616	WASHER, FLAT, PLASTIC, 1/4 ID X 3/4 OD	2
28	30725	RETURN SPRING	2
29	20115	HEX.HD BOLT, 1/4-28 NF X 3/4	1
30	21020	NUT, HEX, 1/4-28 NF	1
31	22003	PAN HD. SCREW, #10-24 UNC X 3/4	1
32	21112	HEX.NUT, 5/16-18 UNC	2
33	56069	COCKING HANDLE ASS'Y (AUTO DROPS)	1
34	57140	COCKING LEVER ASS'Y (AUTO DROPS)	1
35	21210	HEX.NUT, 3/8-16 NC (AUTO DROPS)	1
36	20320	HEX.BOLT, 3/8-16 NC X 3/4 (AUTO DROPS)	1
37	625020	COCKING CYLINDER, 3/4 (AUTO DROPS)	1
38	20007	HEX.HD.BOLT, 1/4-20 NC X 5/8 (AUTO DROPS)	6
39	22805	BEARING	1
40	57194	CYL.MT.BRACKET (AUTO DROPS)	1
41	21012	NUT, JAM, 1/4-20 UNC	2
42	20002	SOCKET HD. BOLT, 1/4-20 NC X 1 1/4	6
43	55849	DROP BLOCK	1
44	20235	HEX.HD.BOLT, 5/16-18 NC X 1 3/4	2
45	21755	WASHER, STAR 5/16ID	2
46	20020	HEX.HEAD BOLT, 1/4-20 NC X 1 1/4-GR 5	3
47	30785	TENSION SPRING (HYLO TABLES ONLY)	1
48	22017	FLAT HD. SCREW, 1/4-20UNC X 3/4	2
49	20024	BOLT, SOCKET HEAD, 1/4 - 20 UNC X 1 1/4	1
50	57103	BLOCK	1
51	21620	FLAT WASHER 1/4ID X 9/16OD	2
52	50720	SPACER	1
53	21810	FLAT WASHER 3/8ID X 13/16OD	1
54	24160	LOCK KNOB	1
55	55932	LOCK ROD	1
56	21981	PLASTIC FLAT HD. SCREW, #8-32 NC X 1/2	1
57	21420	HEX.NUT, #8-32NC	1
58	22657	ROLL PIN 1/8 X 3/8	1
59	56060	STABILIZER BRACE ASS'Y	1
60	57144	FRONT ROCKER FRAME ASS'Y	1
61	20197	SOCKET HD. SHOULDER BOLT, 5/16-18 UNC	4

LLOYD TABLE COMPANY

PRODUCTS & ACCESSORIES



LLOYD



**TABLE
COMPANY**



102-122 W. Main Street • Lisbon, Iowa 52253-0899 • Phone 319-455-2110
Call Toll Free 1-800-553-7297 FAX: 319-455-2166

www.lloydtable.com